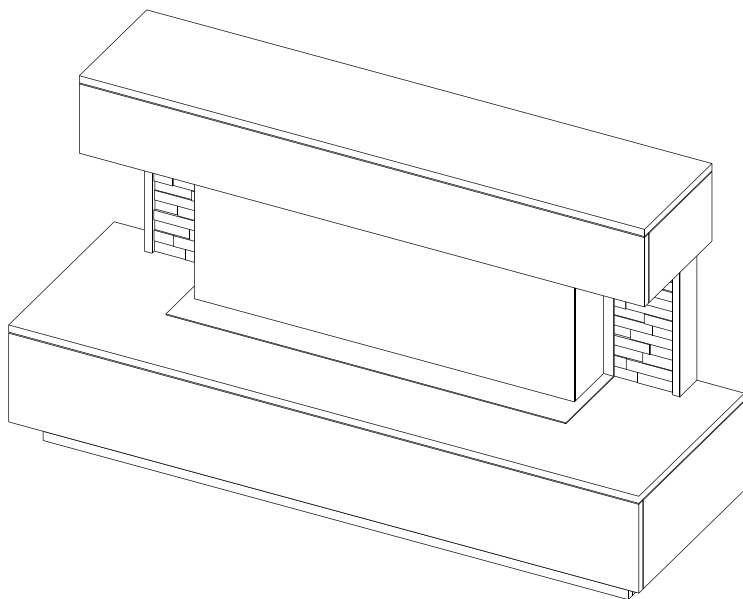


MARBLE SURROUND

Suitable for electric fires only



www.firedupcorporation.com/manual

Read ALL the instructions before use.

These instructions are for your safety. Please read through them thoroughly before use and retain for future reference. Failure to follow them could cause injury and/or property damage.

CONTENTS

SECTION 01

Cautions	03
Introduction	04
Handling	04

SECTION 02

Tools required	05
Identification	05
Parts supplied	06

SECTION 03

Installation	07-10
Guarantee	12
Contacts	12

CAUTIONS

DO'S

- Read **ALL** the instructions before using this product.

- Always ensure this product is installed in accordance with this guide. If in doubt obtain expert advice.

- It is highly recommended that this product is installed by a suitably qualified competent person.

- Always ensure that the correct tools and materials are used to assemble / install this product.

- Always ensure the product is secured to a solid wall or structure using the mechanical fixings and methods described in this guide.

- Always ensure the wall and floor have sufficient load bearing capabilities to allow the surround to be installed safely and securely. The foundation must be sufficient to support the entire weight of the surround.

- Always ensure the product is assembled in an area that is free from dust, grease or liquids.

- Always make sure the electrical socket is accessible and located adjacent to, but not above or behind the fireplace.

DON'TS

- Never install the surround on a non-structural wall such as a lightweight metal stud wall or movable partitions etc.

- Never rely on adhesive alone to fix this product to the wall.

- Never install or use the fireplace anywhere where water is in use, i.e. bathrooms, kitchens, shower rooms, swimming pools etc.

- Never route the mains supply cord under carpet etc.

- Never install the fireplace close to curtains or combustible materials.

- Never sit, stand, lean or climb on the fireplace. Children must never be allowed to play on the fireplace and should be discouraged from playing close to it.

- Never place or store heavy loads on the mantel shelf.

- Never use abrasive materials or cleaning agents to clean this product.

- Do not use or store outdoors.

INTRODUCTION

Thank you for choosing this product. The product is designed to meet the most stringent quality, performance, and safety requirements. This guide aims to improve your understanding and appreciation of your new fire surround by providing simple and informative assembly instructions.

HANDLING

Before continuing any further with the installation of this product please read the following:

- When lifting always keep your back straight. Bend your legs and not your back.
- Avoid twisting at the waist; it is better to reposition your feet.
- Avoid upper body / top heavy bending. Always bend from the knees rather than the waist.
- Do not lean forward or sideways whilst handling the fireplace suite.
- Always grip with the palm of the hand; do not use the tips of fingers for support.
- Always keep the product as close to the body as possible; this will prevent unnecessary and undue strain on the body.
- Use gloves to provide additional grip.
- Always use assistance if required.



WARNING: It is highly recommended that this product is installed by a suitably qualified competent person. Failure to do so may result in serious or fatal injury and/or property damage.



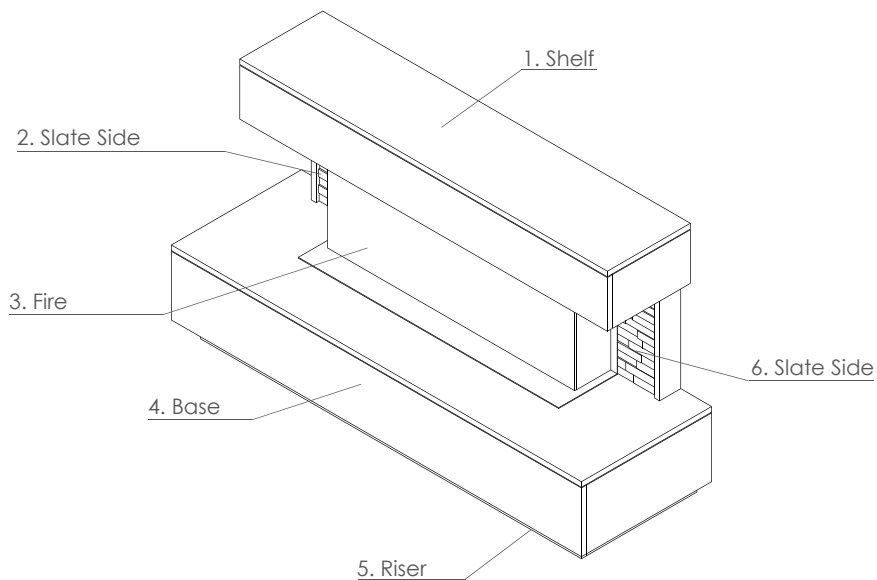
WARNING: Stone fireplaces can weigh in excess of 120Kg (full set). Seek assistance when moving any of the components. **Do not attempt to lift any large components alone.**

TOOLS REQUIRED

- Crosshead screw driver
- Pencil/Pen
- Drill & 6mm Drill Bit
- Tape measure
- Silicone/Caulk
- Screws
- Wall Plugs

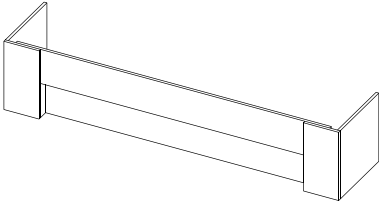
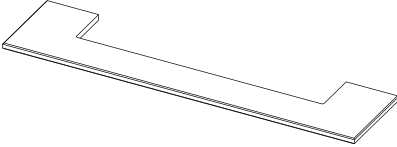
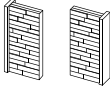
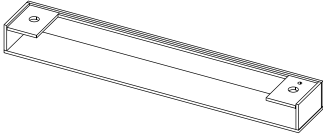
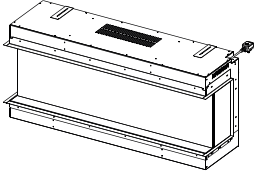
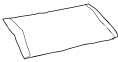

IDENTIFICATION

(Image for illustrative purposes only)



PARTS SUPPLIED

Please identify the parts listed below and ensure you have **ALL** the correct parts before assembling the unit.

Description	Illustration	Qty
Base		x1
Shelf		x1
Side Panel		x2
Top		x1
Fire		x1
Fixing Kit		x1
Downlights		x1

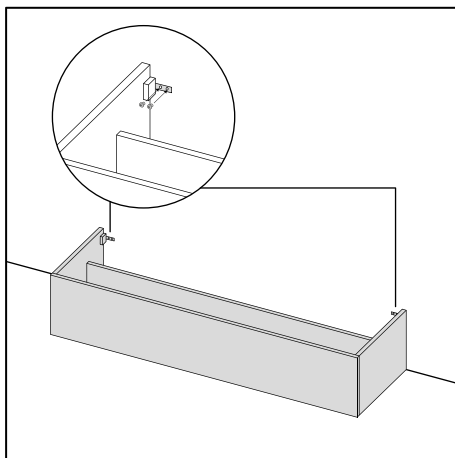


WARNING: It is highly recommended that this product is installed by a suitably qualified competent person. Failure to do so may result in serious or fatal injury and/or property damage.

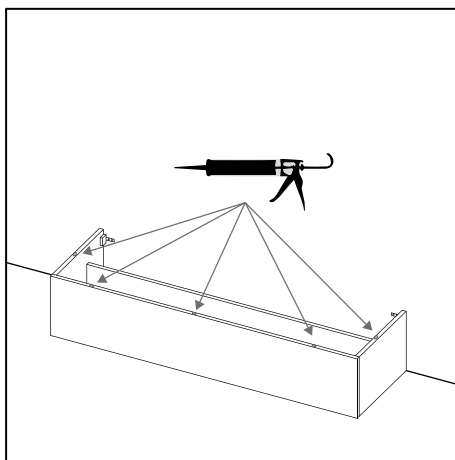
INSTALLATION

1. Place the riser on the floor, ensuring it is pushed against the wall.

Secure the riser to the wall using the 2 x L-shaped brackets and the appropriate fixings.

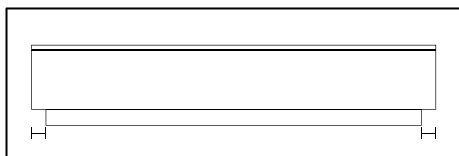
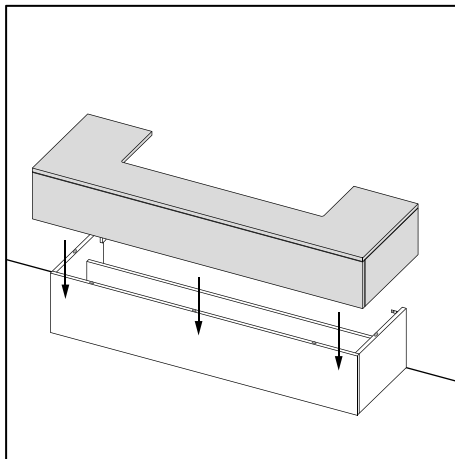


2. Once the riser is secured, apply 5 x "pea sized" dabs of silicone onto the top edge of the riser.



3. With help, carefully lower the base over and onto the riser.

Ensure it is central and there is an even gap on both sides between the base and riser.

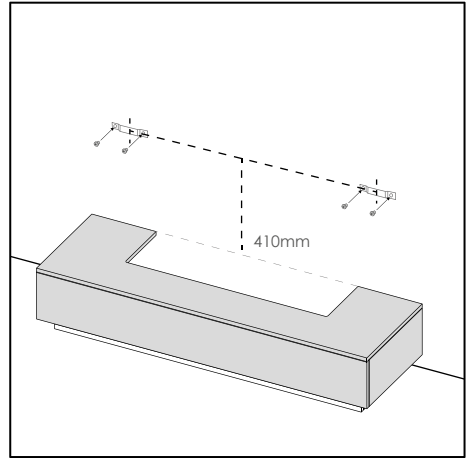


4.

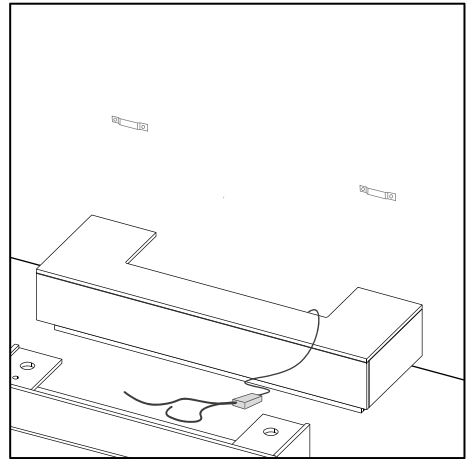
Measure the distance between the brackets fixed to the top part.

Using the base as a reference. Find the centre and measure 410mm upwards and mark this point.

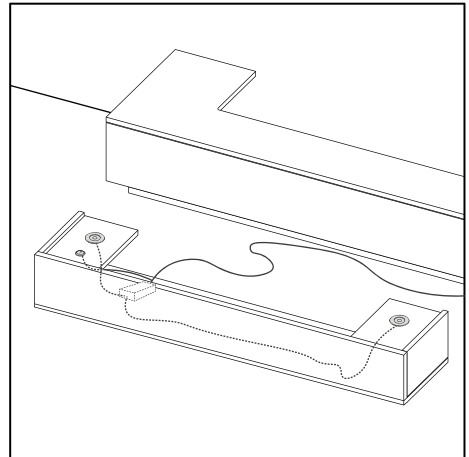
Mark the distance of the centre of the brackets on the wall and fix the stand-off brackets to the wall using the appropriate fixing method.

**5.**

Feed the downlights plug and cable into the base.

**6.**

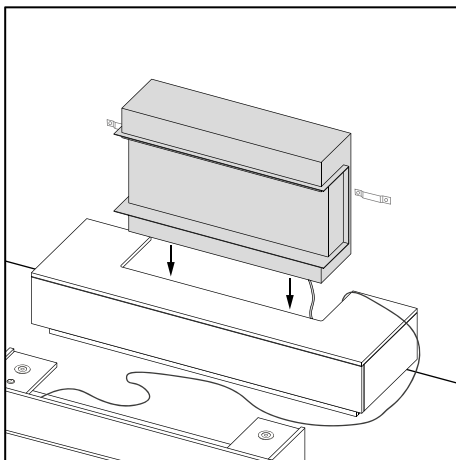
Insert the downlights and switch into the top of the surround and connect them to the cable.



- 7.** Before fitting the fire, move the downlights cable to the back, so the fire does not trap it.

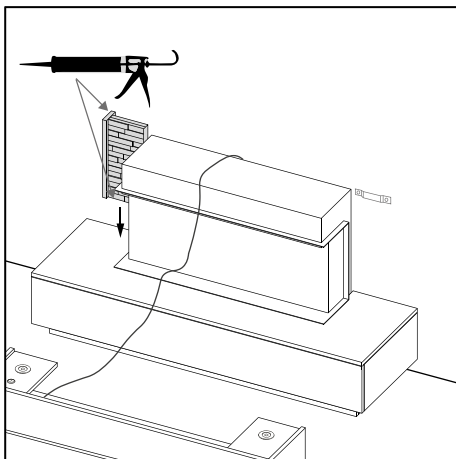
Feed the plug for the fire into the opening and with help, lift the fire and carefully lower into the cutout in the base.

Sit the fire on the base using the metal tabs on the front and sides.



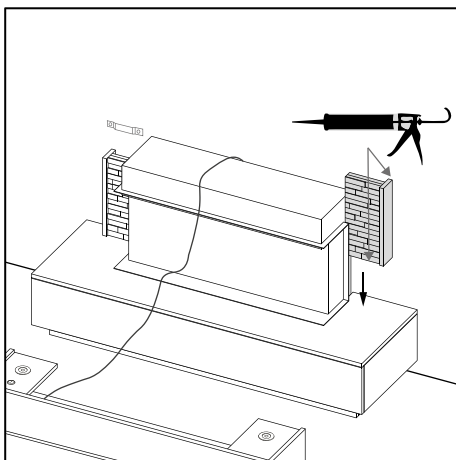
- 8.** Apply "pea sized" dabs of silicone to the bottom and back edge of the side panel and lower onto the base.

Ensure the side panel is pushed against the fire and push the back edge against the wall to fix in place.

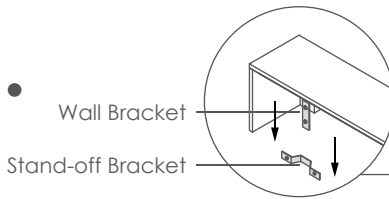


- 9.** Apply "pea sized" dabs of silicone to the bottom and back edge of the side panel and lower onto the base.

Ensure the side panel is pushed against the fire and push the back edge against the wall to fix in place.



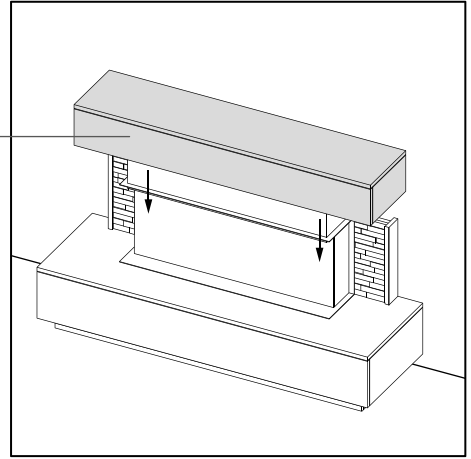
10.



Once the side panels are in place, with help, lift the top and carefully lower over the fire whilst ensuring the hooks go into the stand-off brackets so it is secure.

Ensure the downlight cable is tucked into the top and is not trapped or visible.

Check the top is central and adjust carefully if needed.



[AFFIX RECEIPT OR PROOF
OF PURCHASE HERE]

GUARANTEE

For your convenience, you are not required to complete a form and return it to us in order to validate your guarantee. However, please ensure that you retain your receipt which will act as both proof of purchase and a guarantee validation document. **We recommend that you attach your receipt to this documentation.**

Your product carries a 12 month guarantee from the date of original purchase (or as otherwise provided in writing at point of purchase). If your product fails to operate to its specification, due to faulty workmanship or materials during the guarantee period, we will either repair or replace the product. We will use our discretion to determine whether to offer a repair or provide a replacement. The product will not be covered by the guarantee if it has been misused, transformed, modified or altered in any way.

If your product fails within the guarantee period please ensure that you have all necessary documentation available including proof of purchase (receipt or invoice with serial number, location and date of purchase) in addition to all original undamaged packaging and leaflets etc. It is strongly recommended that you inspect your product carefully before it is used or installed. For full details of your product you should refer to the instruction manual which accompanies the product. You are strongly advised to read this manual carefully in its entirety and to retain it for future reference.

This product guarantee does not affect your statutory rights.

CUSTOMER HELPLINE

 +44 (0) 3300 882 069

 customer.support@firedupcorporation.com



www.firedupcorporation.com

Fired Up Corporation Ltd
Fired Up Buildings
HD1 3LF, UK

Fired Up Corporation
(Ireland) Ltd
71, D02 P593, Dublin