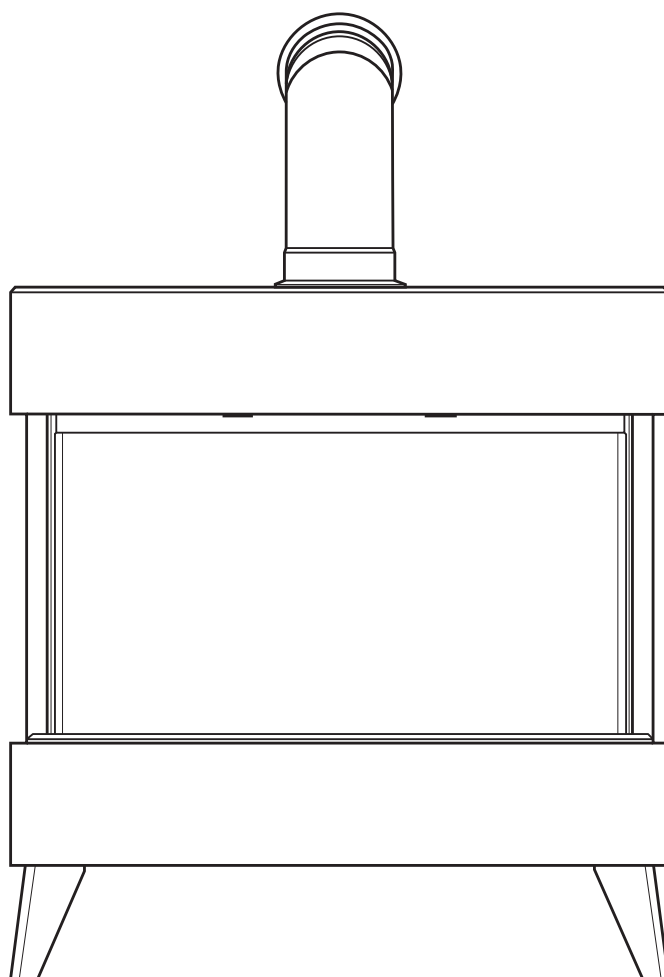


FEET ATTACHMENT FOR VIERA STOVE

(This guide is to be used in conjunction with the manual supplied with the fire)



Please read through the use & care manual provided with this product first.

www.firedupcorporation.com/manual

PARTS SUPPLIED

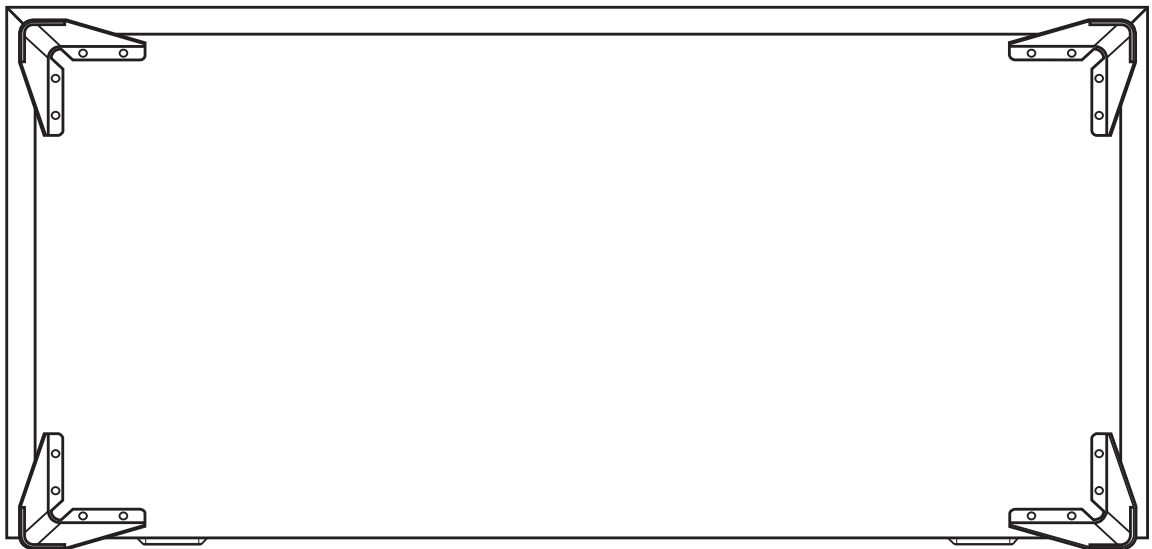
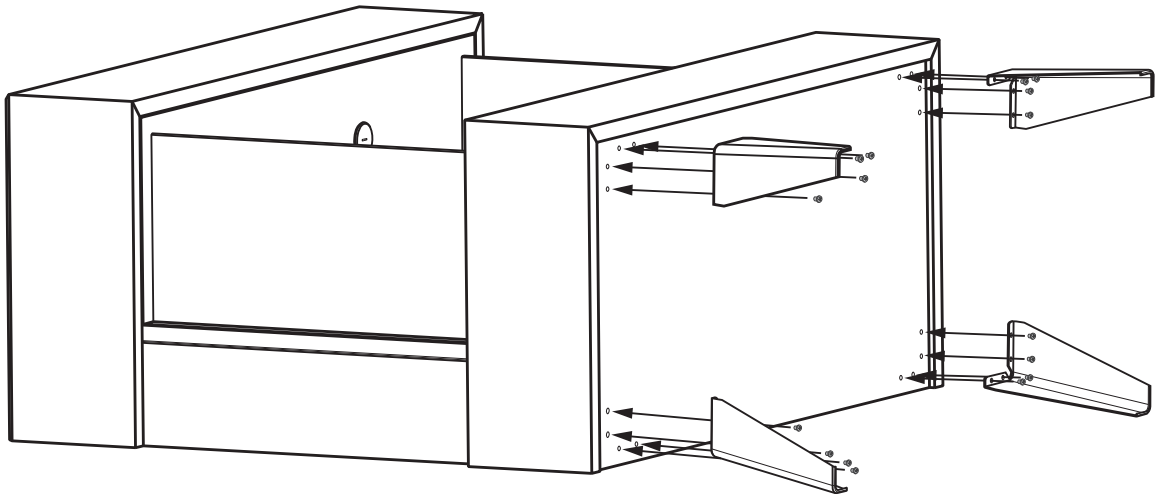
- 4 x Feet
- 16 x Screws

TOOLS & PARTS REQUIRED

- Screwdriver

Attaching the Feet

- Remove fire and feet from packaging
- Lay the fire down on its back
- Align the holes in the feet with holes on the underside of the fire
- Using a screwdriver, screw the four feet onto the fire
- Ensure feet are secure and stand the fire upright



BOTTOM VIEW