

MARBLE & STONE FIREPLACE
ASSEMBLY INSTRUCTIONS



IMPORTANT: These instructions are for your safety. Please read through them thoroughly before use and retain for future reference. Failure to follow them may result in serious or fatal injury and/or property damage.



WARNING: This product is heavy. Failure to install this product securely and in accordance with these instructions could lead to a serious or fatal injury.

INTRODUCTION

Thank you for choosing this product. The product is designed to meet the most stringent quality, performance, and safety requirements. This guide aims to improve your understanding and appreciation of your new fire surround by providing simple and informative assembly instructions.

CONTENTS

SECTION 01

Introduction	02
Cautions	03
Handling	04
Unpacking	04
Electrical safety	04

SECTION 02

Check	05
Identification	05

SECTION 03

Securing the Product	06
Gluing	06
Adhesive selection & application	06
Fixing methods	07
3-Piece back panels	08
Assembly	09-17
Care and maintenance	19
Disclaimer	19
Guarantee	20
Contacts	20

CAUTIONS

DO'S

-
- Always ensure this product is installed in accordance with this guide.
-
- Always use a registered gas safe engineer when installing gas fires.
-
- Always use a Hetas registered installer when installing a solid fuel fire
-
- It is highly recommended that this product is installed by a suitably qualified competent person.
-
- Always ensure that the correct tools and materials are used to assemble / install this product.
-
- Always ensure the product is secured to a solid wall or structure using the mechanical fixings and methods described in this guide.
-
- Always ensure the wall and floor have sufficient load bearing capabilities to allow the surround to be installed safely and securely. The foundation must be sufficient to support the entire weight of the surround.
-
- Always ensure the product is assembled in an area that is free from dust, grease or liquids.
-
- If using an electric fire with this product, always make sure the electrical socket is accessible and located adjacent to, but not above or behind the fireplace.
-

DON'TS

-
- Never install the surround on a non-structural wall such as a lightweight metal stud wall or movable partitions etc.
-
- Never rely on adhesive alone to fix this product to the wall.
-
- Never install or use the fireplace anywhere where water is in use, i.e. bathrooms, kitchens, shower rooms, swimming pools etc.
-
- Never route the mains supply cord under carpet etc.
-
- Never install the fireplace close to curtains or combustible materials.
-
- Never sit, stand, lean or climb on the fireplace. Children must never be allowed to play on the fireplace and should be discouraged from playing close to it.
-
- Never place or store heavy loads on the mantel shelf.
-
- Never use abrasive materials or cleaning agents to clean this product.
-

HANDLING

Before continuing any further with the assembly and installation of this product please read the following:



WARNING: Stone fireplaces can weigh in excess of 120Kg (full set). Seek assistance when moving any of the components. **Do not attempt to lift any of the components alone.**

- When lifting always keep your back straight. Bend your legs and not your back.
- Avoid twisting at the waist. It is better to reposition your feet.
- Avoid upper body / top heavy bending. Always bend from the knees rather than the waist. Do not lean forward or sideways whilst handling components.
- Always grip with the palm of your hand. Do not use the tips of your fingers for support.
- Always keep the product as close to the body as possible to prevent unnecessary and undue strain on the body.
- Use gloves to provide additional grip.
- Seek assistance when lifting heavy parts.

UNPACKING

The unit is supplied in multiple parts. Carefully unpack the parts using the following procedure:

- Ensure that the product is in the correct position with the carton / label wording legible.
- Make sure the installation site is clear, with no obstacles or trip hazards.
- Seek assistance when lifting parts.
- Appropriate safety attire should be worn e.g. Safety boots and gloves.
- Unpack the parts close to the installation site.
- Do not dispose of packaging materials until installation has been completed.

ELECTRICAL SAFETY (FOR DOWNLIGHTS)

- Do not spray liquids directly onto any surface of the downlights.
- If the supply cord is damaged it must be replaced by the manufacturer, its service agent or a similarly qualified person in order to avoid a hazard.
- Downlights are not intended for use by persons (including children) with reduced physical, sensory or mental capabilities, or lack of experience and knowledge, unless they have had supervision or instruction concerning use of the appliance by a person responsible for their safety.
- Children should be supervised to ensure that they do not play with the downlights.
- The plug must be accessible after installation to allow for isolation in an emergency.



WARNING: It is highly recommended that this product is installed by a suitably qualified competent person. Failure to do so may result in serious or fatal injury and/or property damage.



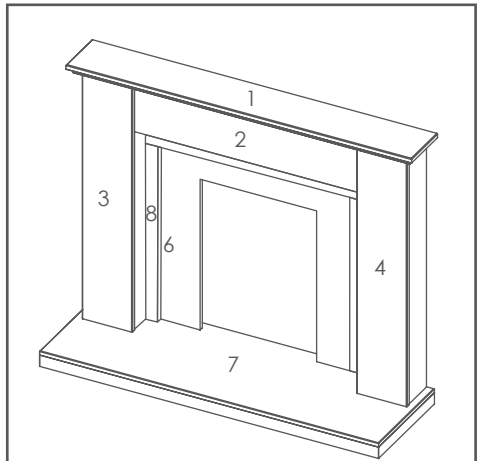
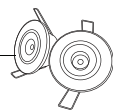
WARNING: It is highly recommended that this product is assembled and installed by a suitably qualified competent person. Failure to install this product in accordance with the recommendations outlined in this document may result in serious or fatal injuries.

IDENTIFICATION

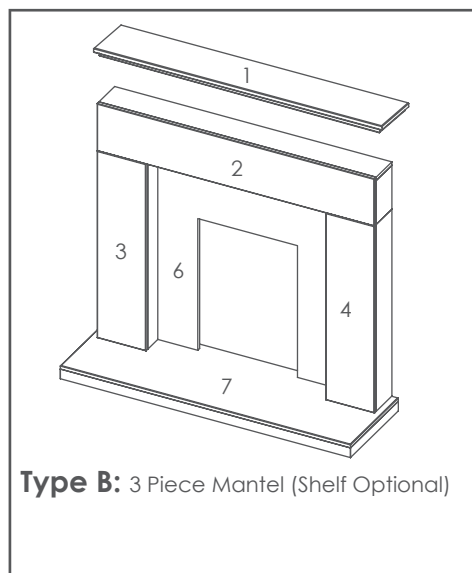
(Image for illustrative purposes only)

1. Shelf
2. Header
3. Left Leg
4. Right Leg
5. Body
6. Back Panel
7. Hearth
8. Slip Set

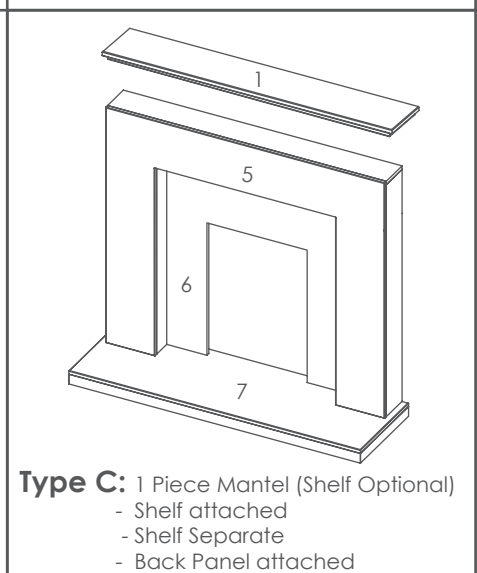
Some products come with downlights



Type A: 4 Piece Mantel



Type B: 3 Piece Mantel (Shelf Optional)



Type C: 1 Piece Mantel (Shelf Optional)
 - Shelf attached
 - Shelf Separate
 - Back Panel attached

SECURING THE PRODUCT



IMPORTANT: The correct selection and application of adhesives is essential in order to safely install this product.

Where propriety bedding materials, cements, adhesives or grouts are used, their use must conform to the manufacturer's guidelines. Such products should only be used for applications and surfaces as approved by the manufacturer.

GLUING

This product must be properly secured using the correct types of adhesive. Adhesives must be used to secure the following:

- All joints between components and fixing brackets
- All joints between components and other components
- All joints between components and surrounding structures (wall and floor)

Note: All surfaces to be glued must be cleaned and prepped in accordance with the adhesive's instructions.

ADHESIVE SELECTION & APPLICATION

For joints between components and fixing brackets:

Use a high strength adhesive that identifies STONE and METAL as suitable contact surfaces. Fixing brackets MUST be 'sandwiched' between a fixing block and the component.

MARBLE & GRANITE

For joints between components and other components:

Use a high strength adhesive that identifies STONE as a suitable contact surface. These joints must not be 'spot bedded'. A complete bed of adhesive must be applied.

For joints between components and surrounding structures (wall and floor):

Use a high strength adhesive that identifies STONE and the surrounding structure MATERIAL as suitable contact surfaces. **Do not bond to wallpapered or painted surfaces.**

LIMESTONE

For joints between components and other components:

Use a high strength LIMESTONE CEMENT. These joints must not be 'spot bedded'. A complete bed of cement must be applied.

For joints between components and surrounding structures (wall and floor):

Use a high strength LIMESTONE CEMENT. **Do not bond to wallpapered or painted surfaces.**

FIXING METHODS



IMPORTANT: All mechanical fixings, for holding the product in position, must be secured to a solid wall or structure.

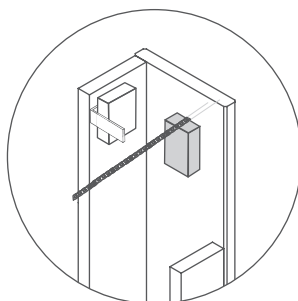
All fixing brackets and fixing blocks are supplied with this product. Please note that some fixing brackets may be supplied already attached to the product. Depending on the material of the structure, the appropriate propriety fixings should be used to secure the fireplace (using the methods stated below).

FIXING A

Note: Appropriate fixing methods must be used to secure legs and/or header to the wall.

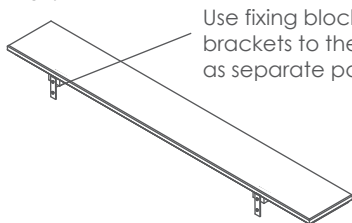
Secure wall bracket to the wall

Secure anti-topple strip to the wall

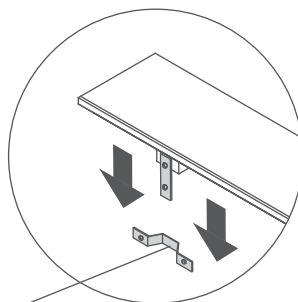


FIXING B

Note: Shelf fixing brackets may be supplied already attached to the shelf, or as separate parts. Appropriate fixing methods must be used to secure the shelf to the wall.



Use fixing blocks to secure fixing brackets to the shelf (if supplied as separate parts).



Secure stand-off bracket to the wall

3-PIECE BACK PANELS



IMPORTANT: The correct selection and application of adhesives is essential in order to safely install this product.

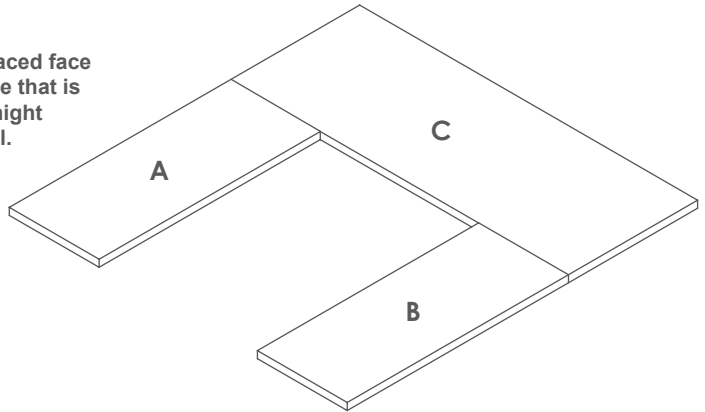


IMPORTANT: It is highly recommended that this product is assembled and installed by a suitably qualified competent person. These diagrams are to aid the installer.

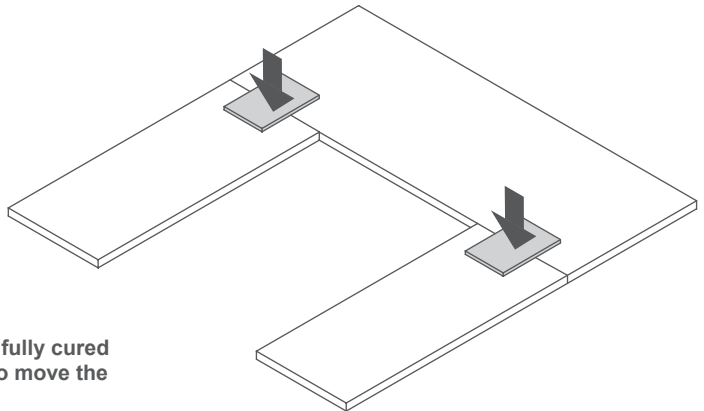
Some products may include a back panel that requires assembly prior to installation. It is essential you have read and understood Page 6 before attempting to assemble the back panel (using the methods stated below).

A1

IMPORTANT:
Ensure all parts are placed face down on a level surface that is free from debris that might damage the back panel.



A2



IMPORTANT:
Ensure adhesive is fully cured before attempting to move the back panel.

ASSEMBLY

Note: These instructions apply to multiple product types. Please identify your product using the guide on P5 before commencing assembly.

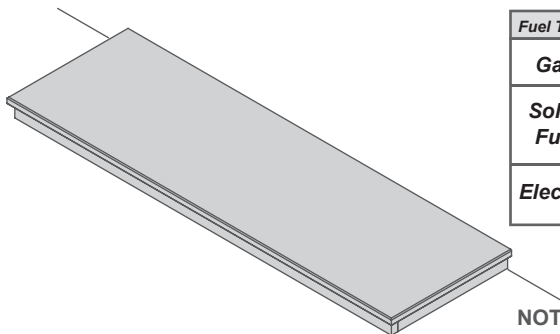


IMPORTANT: It is highly recommended that this product is assembled and installed by a suitably qualified competent person. These diagrams are to aid the installer.



IMPORTANT: For products with downlights, lighting must be safely installed along with the fireplace.

1



IMPORTANT:
Ensure the hearth is level and secure.
For installations please see table below.

Fuel Type	Installation Required
Gas	Must be fitted by an accredited Gas Installer
Solid Fuel	Must be fitted by a Hetas registered installer
Electric	Refer to Electric Fire Manual

NOTE:
For products with a double hearth.
Position both Hearth's before proceeding to step 2.

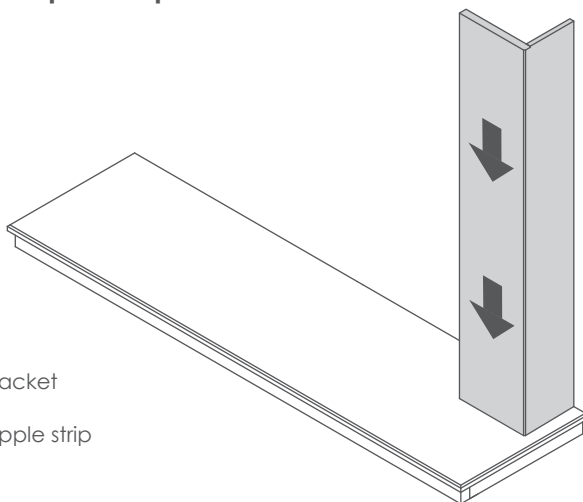
2  For Type C: Jump to Step 8

FIXING A



Wall Bracket

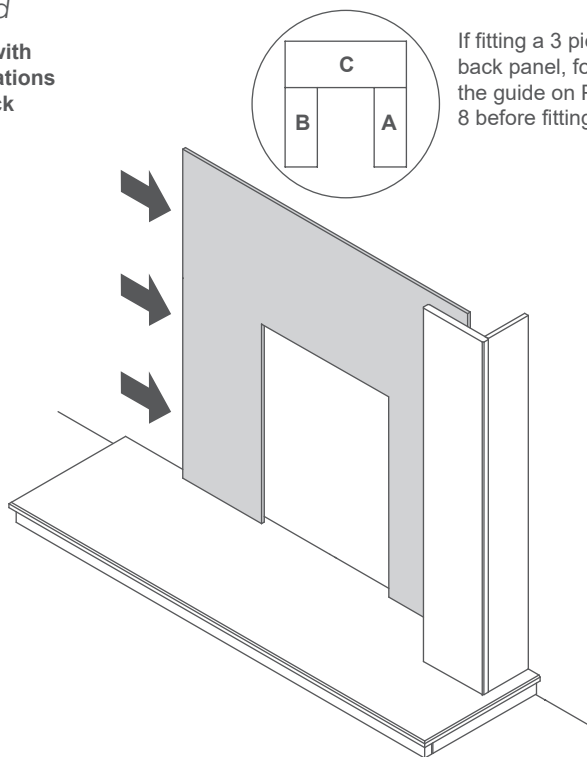
Anti-topple strip



3A If Back Panel is fitted

IMPORTANT: For installations with gas fires refer to building regulations when fitting the hearth AND back panel.

Fuel Type	Installation Required
Gas	Must be fitted by an accredited Gas Installer There must be an air tight seal between the Back Panel and Wall.
Solid Fuel	Must be fitted by a Hetas registered installer. There must be an air tight seal between the Back Panel and Wall.
Electric	Refer to Electric Fire Manual



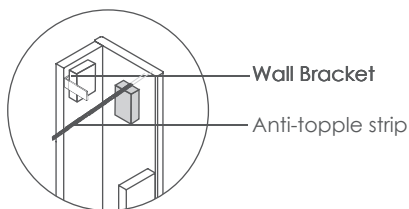
If fitting a 3 piece back panel, follow the guide on Page 8 before fitting.

OR

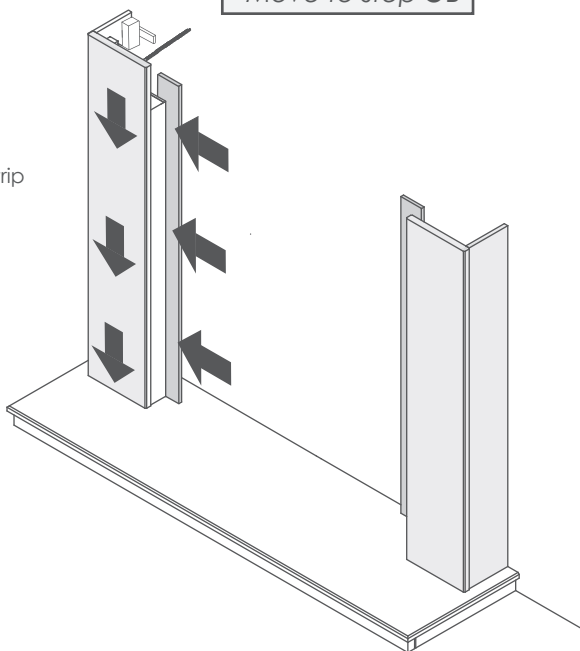
3B If a Slip Set is to be fitted

Once Complete,
Move to step 5B

FIXING A

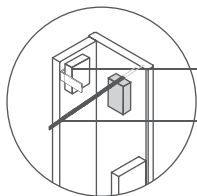


Fuel Type	Installation Required
Gas	Must be fitted by an accredited Gas Installer There must be an air tight seal between the Back Panel and Wall.
Solid Fuel	Must be fitted by a Hetas registered installer. There must be an air tight seal between the Back Panel and Wall.
Electric	Refer to Electric Fire Manual

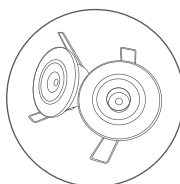
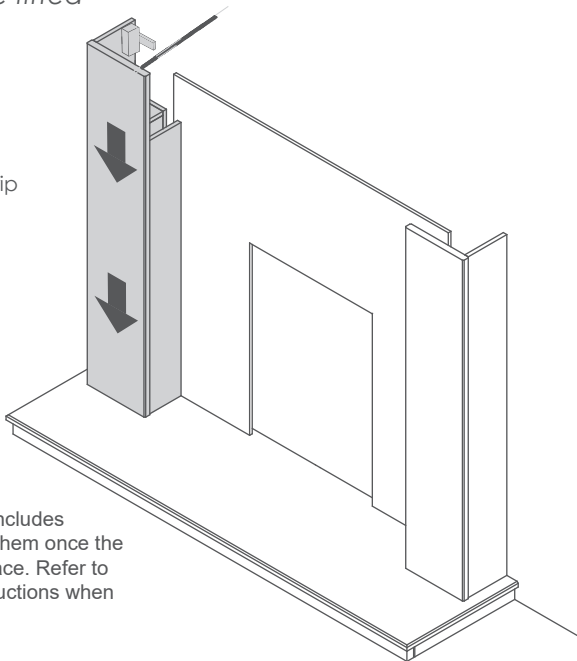


4A *If Back Panel is to be fitted*

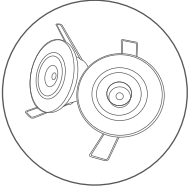
FIXING A



Wall Bracket
Anti-topple strip

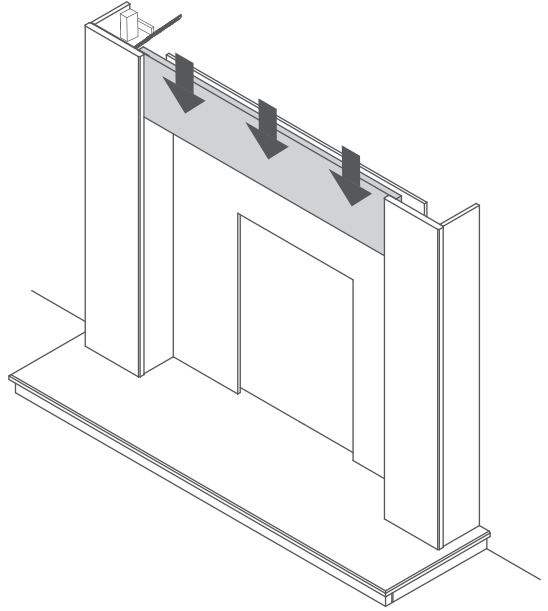


If the product includes downlights, fit them once the header is in place. Refer to downlight instructions when installing.

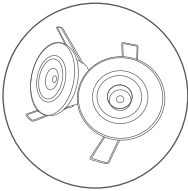
5A *If Back Panel is fitted*

If the product includes downlights, fit them once the header is in place. Refer to downlight instructions when installing.

For Type B: Jump to Step 7

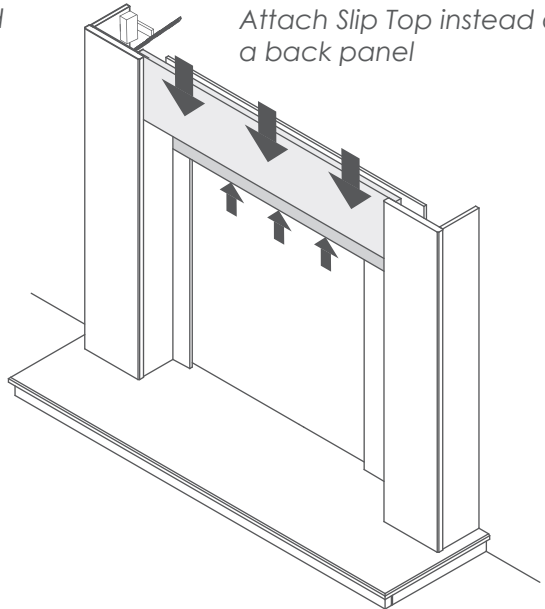


OR

5B *If a Slip Set is to be fitted*

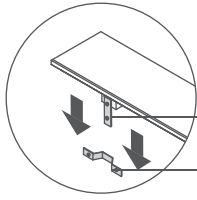
If the product includes downlights, fit them once the header is in place. Refer to downlight instructions when installing.

Attach Slip Top instead of a back panel



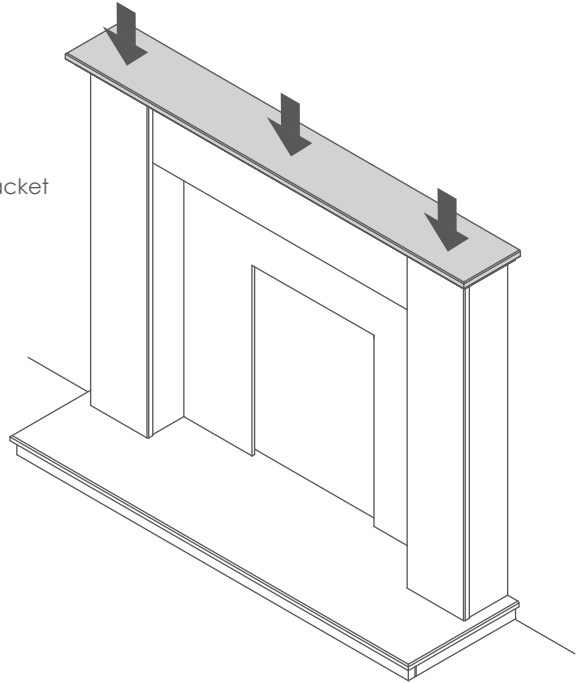
6

FIXING B



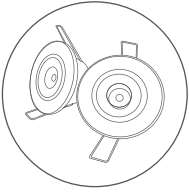
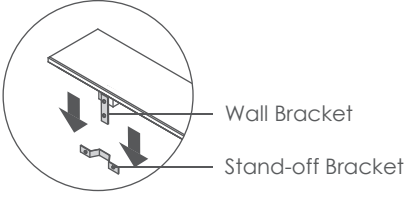
Wall Bracket

Stand-off Bracket

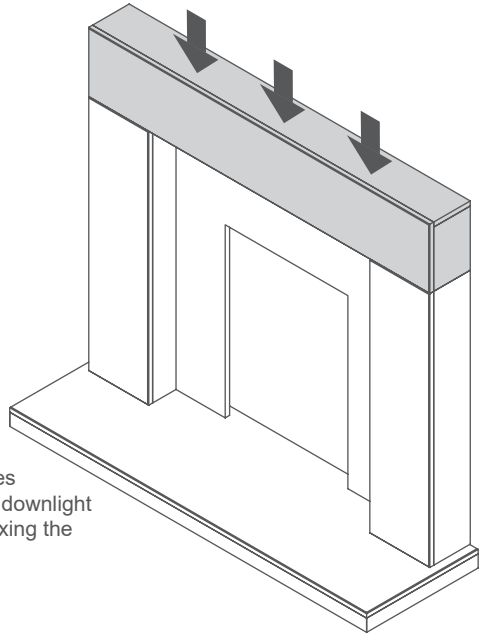


7A Type B: No Shelf

FIXING B

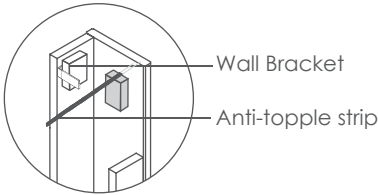


If the product includes downlights. Refer to downlight instructions before fixing the header.

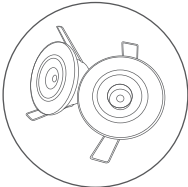
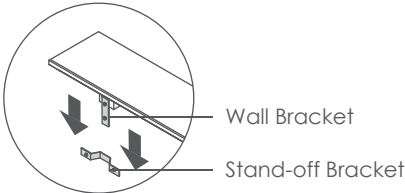


7B Type B: Shelf Included

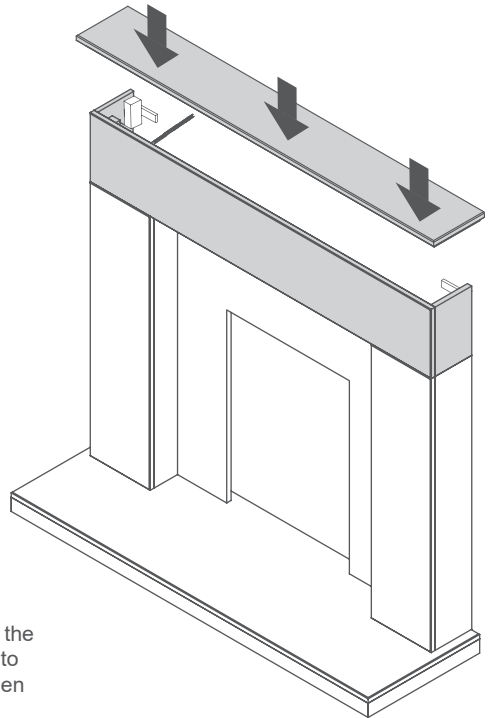
FIXING A



FIXING B



If the product includes downlights, fit them once the header is in place. Refer to downlight instructions when installing.

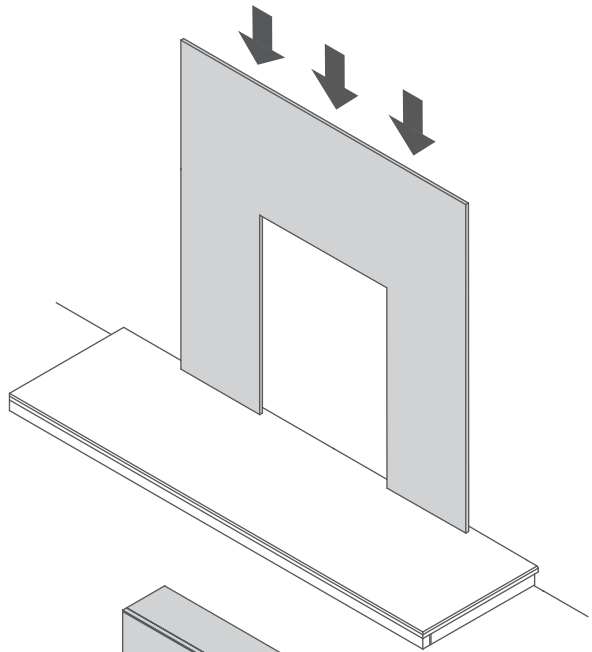


8A Type C: No Shelf

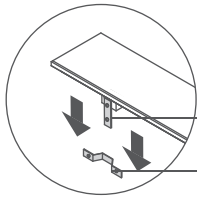
IMPORTANT:

Ensure the hearth is level and secure.

Fuel Type	Installation Required
Gas	<i>Must be fitted by an accredited Gas Installer There must be an air tight seal between the Back Panel and Wall.</i>
Solid Fuel	<i>Must be fitted by a Hetas registered installer. There must be an air tight seal between the Back Panel and Wall.</i>
Electric	<i>Refer to Electric Fire Manual</i>

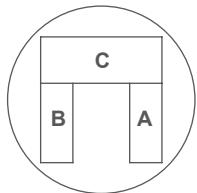
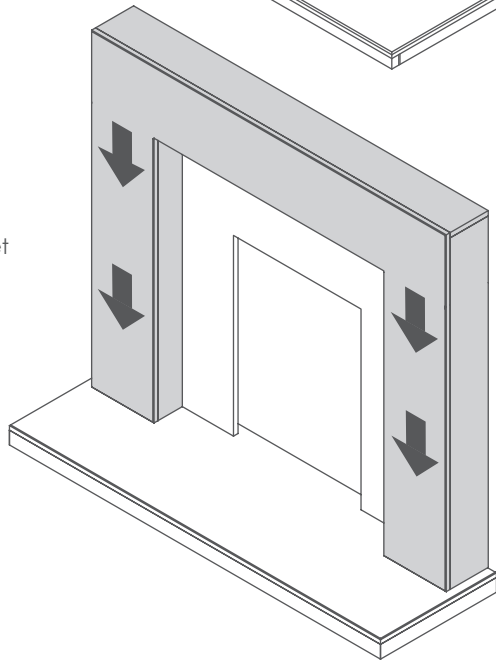


FIXING B

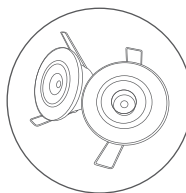


Wall Bracket

Stand-off Bracket



If fitting a 3 piece back panel, follow the guide on Page 8 before fitting.



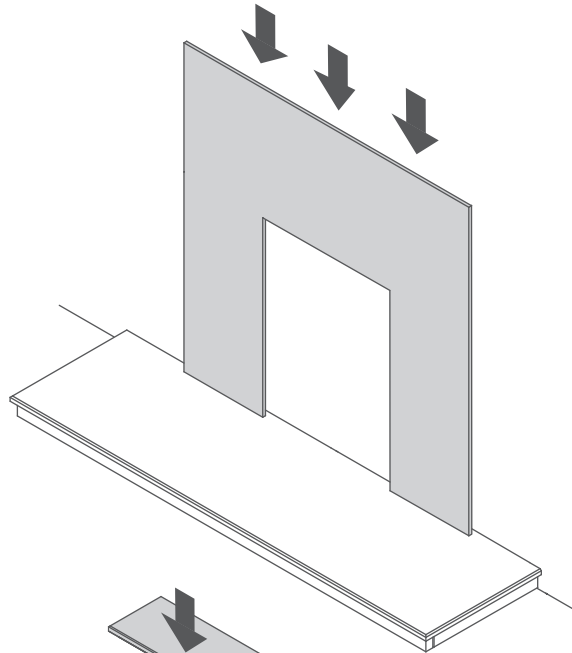
If the product includes downlights, fit them once the header is in place. Refer to downlight instructions when installing.

8B Type C: Shelf Included

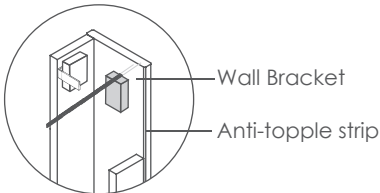
IMPORTANT:

Ensure the hearth is level and secure.

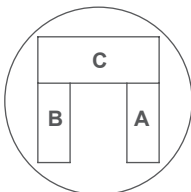
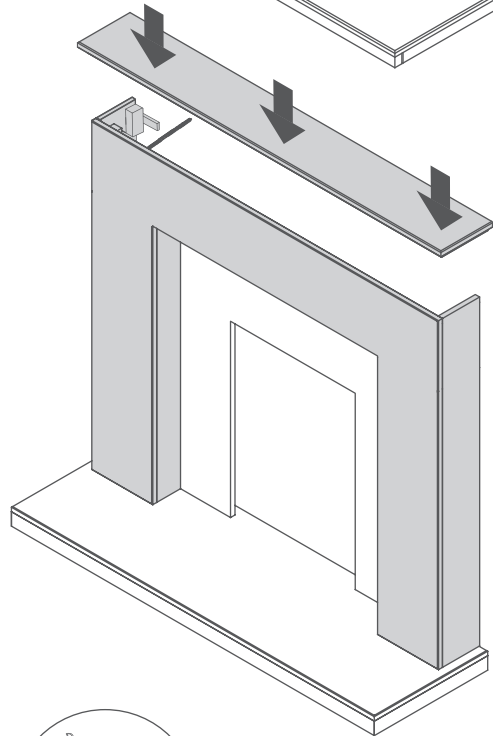
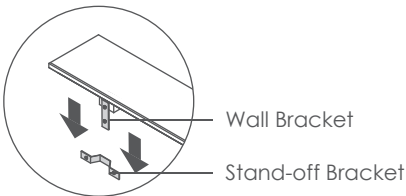
Fuel Type	Installation Required
Gas	<i>Must be fitted by an accredited Gas Installer There must be an air tight seal between the Back Panel and Wall.</i>
Solid Fuel	<i>Must be fitted by a Hetas registered installer. There must be an air tight seal between the Back Panel and Wall.</i>
Electric	<i>Refer to Electric Fire Manual</i>



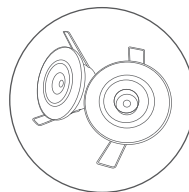
FIXING A



FIXING B



If fitting a 3 piece back panel, follow the guide on Page 8 before fitting.



If the product includes downlights, fit them once the header is in place. Refer to downlight instructions when installing.

8C Type C: Back Panel Attached

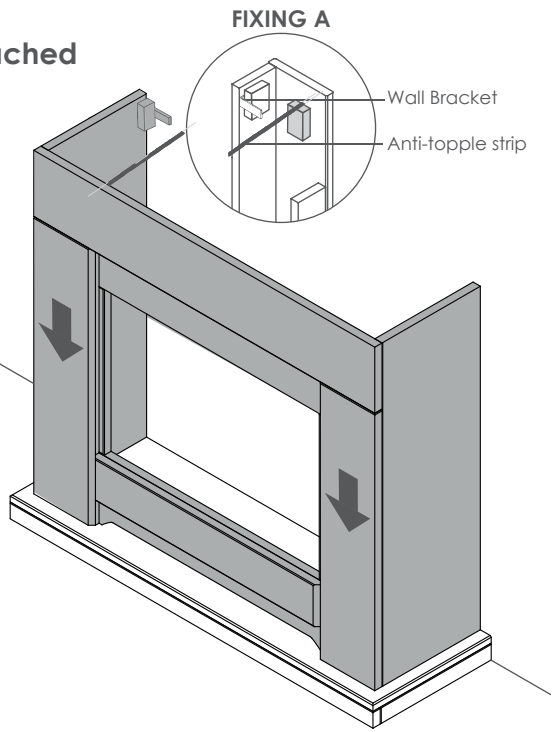
1

IMPORTANT:

Ensure the hearth is level and secure.

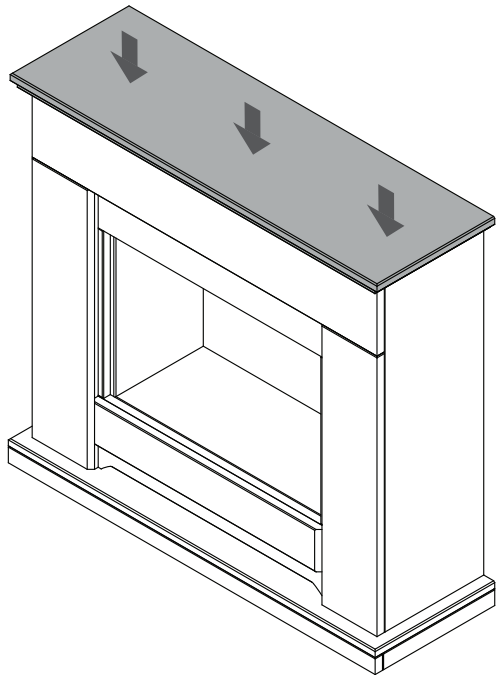
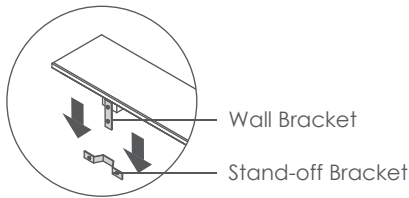
Please read supporting fire installation manual before fitting this surround.

Fuel Type	Installation Required
Gas	Must be fitted by an accredited Gas Installer There must be an air tight seal between the Back Panel and Wall.
Solid Fuel	Must be fitted by a Hetas registered installer. There must be an air tight seal between the Back Panel and Wall.
Electric	Refer to Electric Fire Manual



2

FIXING B



BLANK

CARE AND MAINTENANCE

IMPORTANT: The structure of the fireplace should be regularly checked for any evidence of instability.

IMPORTANT: Never allow children to sit, play or climb on any part of the fireplace. The component parts of the fireplace are extremely heavy, should any part becomes dislodged it could cause serious or fatal injury.

IMPORTANT: Take care not to place or store any heavy objects on the shelf. Use the shelf only to support small items such as pictures, photo frames, small vases etc. Ensure such items are located towards the rear of the shelf.

If you have an electric fire and/or downlights with this surround set, turn off the power and unplug the electric fire before cleaning.

If you have a gas fire with this surround set, turn off the fire and allow to cool before cleaning.

Marble and granite are porous materials and are very delicate where liquids are concerned. If anything is spilt on the marble it should be cleaned immediately.

Take care when cleaning; polished surfaces and edges can be easily scratched.

Do not use cleaning agents or abrasive wipes.

CLEANING

1. Dust down the surfaces with a soft duster.
2. Only use warm water; cleaning agents will damage the material. For granite products, you can use specialist granite cleaners.
3. Use a soft sponge to soak up the warm water and ring out thoroughly.
4. Wipe down the surfaces of the material.
5. Use a soft, dry cloth to dry the surfaces immediately after cleaning.

GUARANTEE


For your convenience, you are not required to complete a form and return it to us in order to validate your guarantee. However, please ensure that you retain your receipt which will act as both proof of purchase and a guarantee validation document. **We recommend that you attach your receipt to this documentation.**

Your product carries a 12 month guarantee from the date of original purchase (or as otherwise provided in writing at point of purchase). If your product fails to operate to its specification, due to faulty workmanship or materials during the guarantee period, we will either repair or replace the product. We will use our discretion to determine whether to offer a repair or provide a replacement. The product will not be covered by the guarantee if it has been misused, transformed, modified or altered in any way.

If your product fails within the guarantee period please ensure that you have all necessary documentation available including proof of purchase (receipt or invoice with serial number, location and date of purchase) in addition to all original undamaged packaging and leaflets etc. It is strongly recommended that you inspect your product carefully before it is used or installed. For full details of your product you should refer to the instruction manual which accompanies the product. You are strongly advised to read this manual carefully in its entirety and to retain it for future reference.

This product guarantee does not affect your statutory rights.

CUSTOMER HELPLINE

 +44 (0) 3300 882 069

 customer.support@firedupcorporation.com



www.firedupcorporation.com

Fired Up Corporation Ltd
Fired Up Buildings
HD1 3LF, UK

Fired Up Corporation
(Ireland) Ltd
71, D02 P593, Dublin