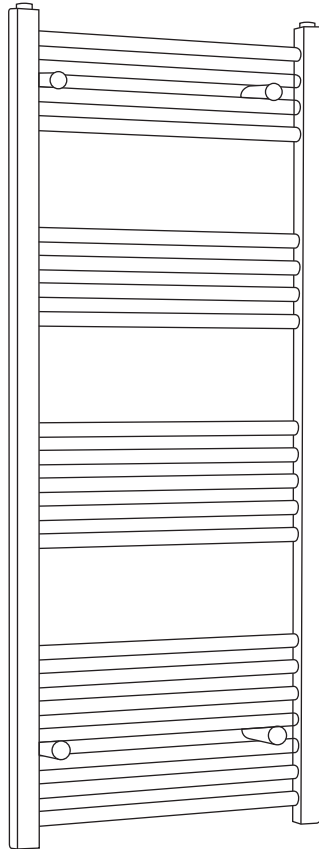


INSTRUCTION MANUAL

Towel Radiator


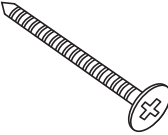
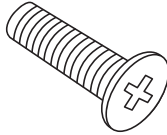

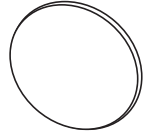
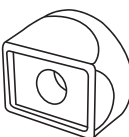
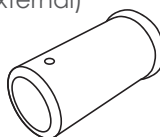
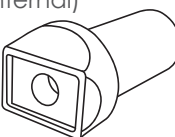

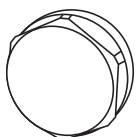


SAFETY INSTRUCTIONS

-
- Read ALL the instructions before using this product.
-
- Check that the radiator and all supplied accessories are present and intact.
-
- Installation should be carried out by a qualified professional or other fully competent person and should be installed in accordance with the relevant British and European Standards (BS7593:2006, EN12828:2012+A1;2014, EN12831:2003 & EN14336:2004).
-
- When drilling walls, check first for hidden pipes and/or cables.
-
- Do not use the heater near flammable or explosive materials.
-
- The pipework must be flushed out to remove any debris which could affect the function of this product.
-
- A corrosion inhibitor should be used in your installation.
-
- Cleaning and user maintenance shall not be carried out by children without supervision.
-

• **CAUTION:** Some parts of this product can become very hot and cause burns. Particular attention must be given where children and vulnerable people are present.

PARTS

Wall Plug x 4 	Wall Screw x 4 	Bolt x 4 	Grub Screw x 4 	Front Cover x 4 
Front Bracket x 4 	Round Bracket x 4 (External) 	Round Bracket x 4 (Internal) 	Air Vent x 1 	Blank Plug x 1 

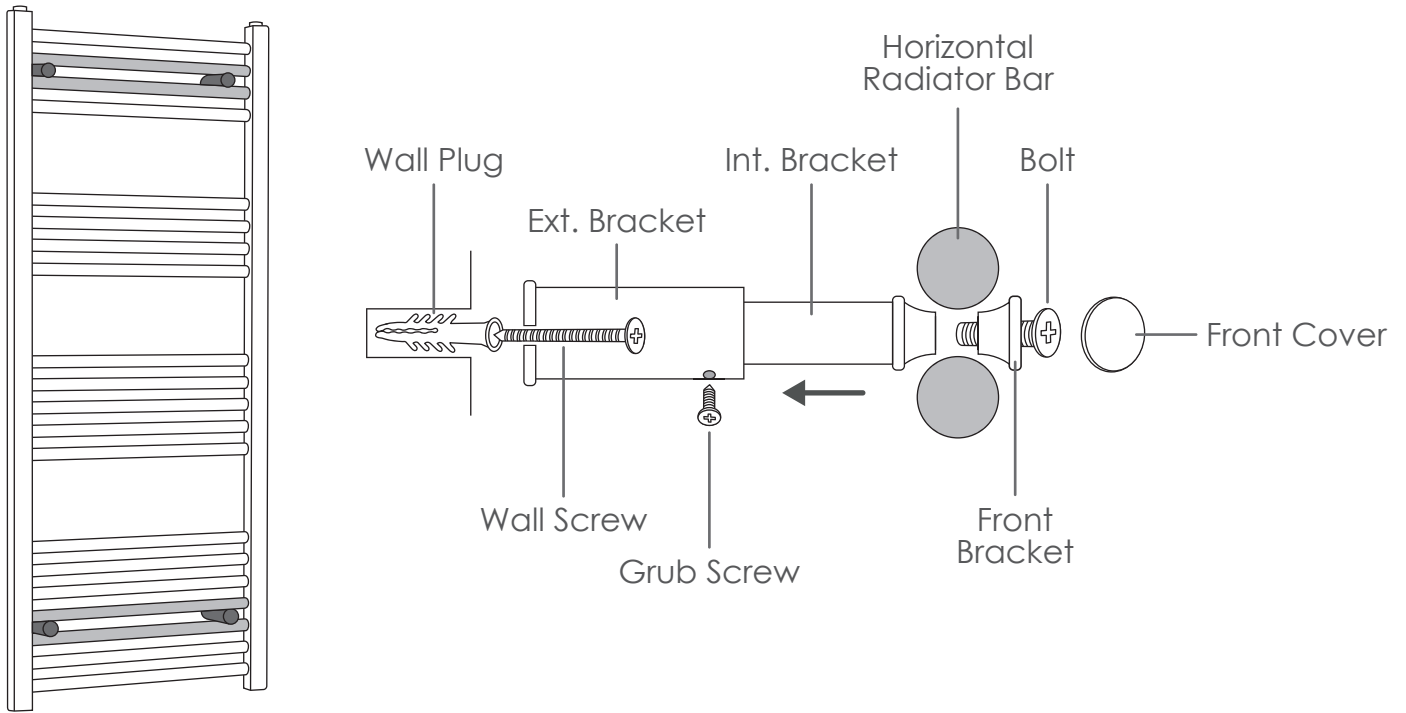
INSTALLATION

Before starting any installation, turn off the water supply. Before commencing any installation, the desired location should be checked before drilling, to ensure that no pipes or wires are damaged.

- Exercise great care when using power tools near water. The use of a Residual Current Device (RCD) or Cordless Drill is recommended.
- Always double check the position and your measurements before drilling holes.
- If drilling into tile, it is recommended to tape the wall to prevent the drill from slipping.
- Ensure the selected wall is sufficiently strong enough to hold the weight of the radiator.
- Wall plugs and screws supplied are intended for masonry walls. Alternative fixings may be required dependent on wall type.

FITTING:

1. Gently remove the radiator from all packaging. Sufficient PTFE tape must be applied to valve-tail threads prior to installation. Silicone thread sealant should be applied to all threaded components manufactured with 'O-rings'.
2. Screw the air vent and the blank plug into the two holes on the top of the radiator.
5. Using the radiator and a spirit level, mark the position of the brackets.
6. Mark the centres of the round external brackets on the wall. Drill four suitable holes and insert wall plugs.
7. Screw the round external brackets into the wall plugs using the wall screws. The small hole on the bracket should be facing down.
8. Screw the round internal brackets to the round external brackets with the grub screws.
9. Offer and secure the radiator into position by fixing the front brackets into the external brackets. These two parts connect through the horizontal radiator bars.
10. Fit the front covers to the front brackets.



Make the necessary connections to the heating circuit. Finally, remove any trapped air from the radiator using the air vent. This step may need to be repeated to ensure all air is removed.

CARE & CLEANING

Regular cleaning with a soft cloth will keep the surface of your radiator looking new. Soapy water can be used to remove stubborn stains, then buff dry with a soft cloth.

DO NOT use abrasive or chemical cleaners to clean your radiator as these will **damage** the surface finish over time.

CONFORMITY WITH DIRECTIVES

Conforms with relevant European Directives.



Installing the Radiator Heating Element

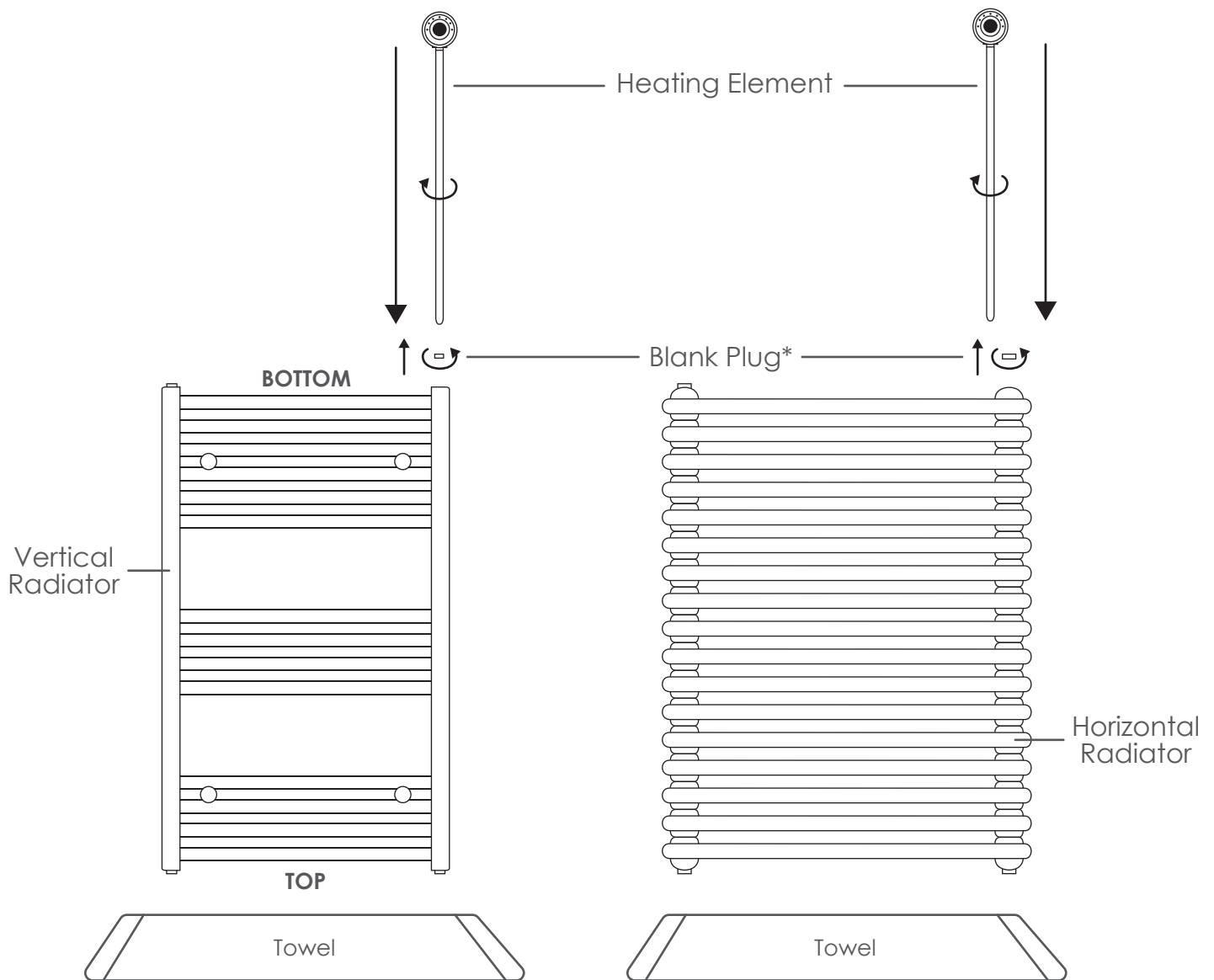
SAFETY INFORMATION

-
- Installation must be carried out by a suitably competent person.
-
- Read manual supplied with radiator for wall mounting installation.
-
- Read manual supplied with heating element for operation.
-
- Ensure Vertical Radiators are upside down and upright before installing the element.
-
- Ensure Horizontal Radiators are on its side and upright before installing the element.
-
- Gloves must be worn during installation process.
-
- Radiators are pre-filled with 85% deionised water and 15% glycol.
-
- **DO NOT** twist the heating element control panel, use a spanner to install and tighten.
-
- The radiator heating element is supplied with a mains plug.
-
- If being installed in a bathroom, the installation must be carried out by a qualified electrician and conform to local building regulations.
-

Please note: Radiators shown for illustration purposes only

www.firedupcorporation.com/manual

INSTALLATION



CAUTION!

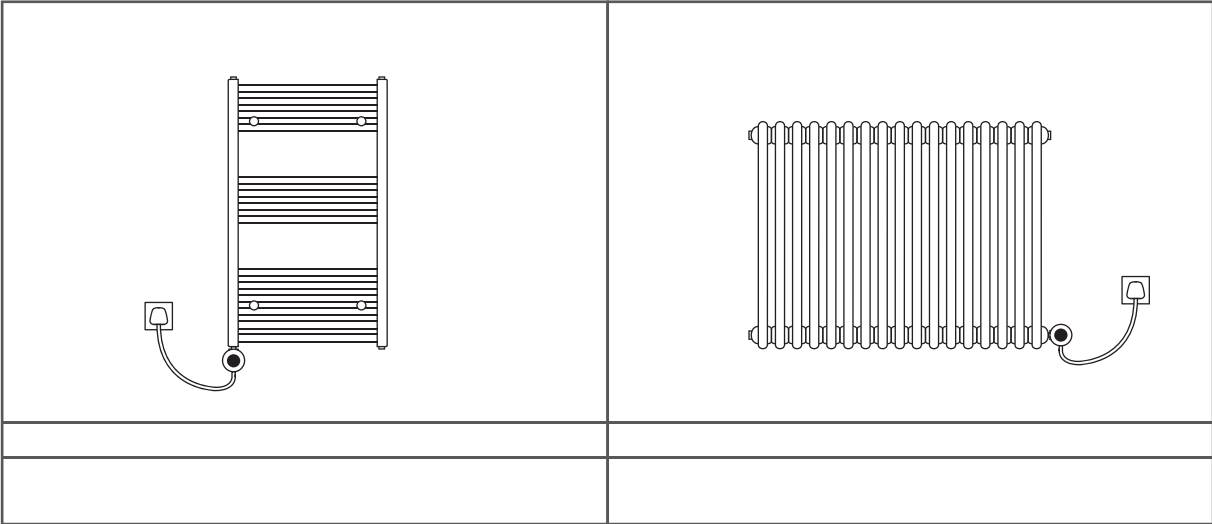
Ensure the Vertical Radiator is **UPSIDE DOWN** and **UPRIGHT STANDING** before installing the element.

Ensure the Horizontal Radiator is on its **SIDE** and **UPRIGHT STANDING** before installing the element.

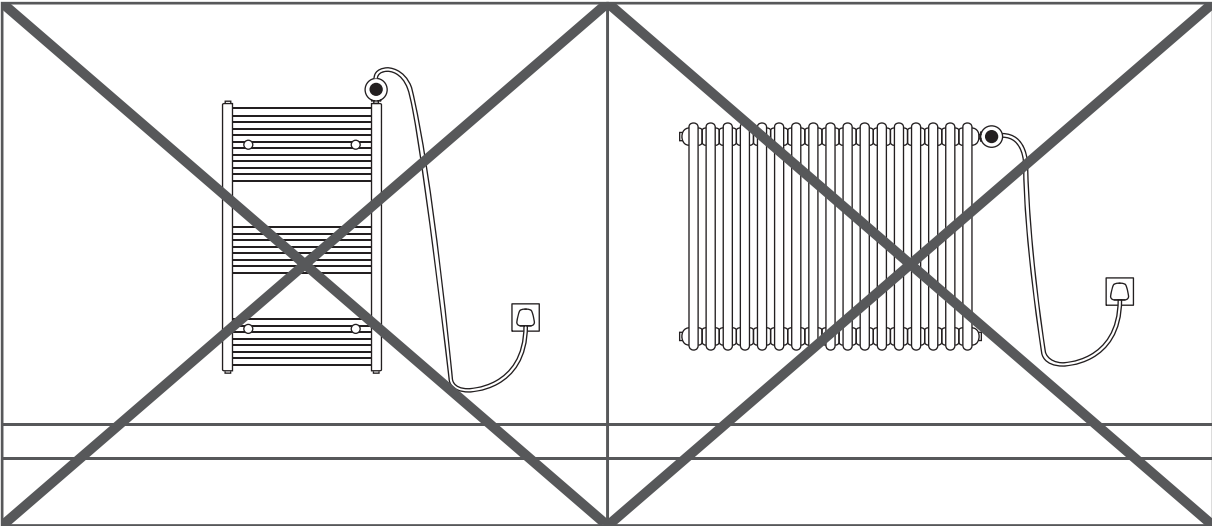
1. Place towel down on a flat surface below the radiator (spillage may occur).
2. Stand radiator upright and remove the blank plug* as shown above.
3. Insert element as shown above. **DO NOT** twist the control panel, use a spanner to install and tighten.
4. Wipe away any spillage that may occur during element installation with a damp cloth.
5. Proceed with wall mounting installation (seperate manual supplied).
6. See heating element manual for operation (seperate manual supplied).

*Left or right blank plug can be removed depending on location of electrical point

CORRECT INSTALLATION

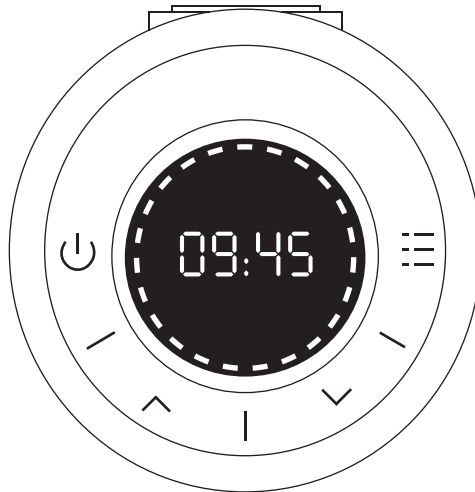


INCORRECT INSTALLATION



INSTRUCTION MANUAL

Radiator Heating Element



This manual is for the following models:

FLS - OWS03 Series
(FLS-OWS03-600W, FLS-OWS03-1200W)

CONTENTS

Safety Instructions	08
Display & Control Panel	09
Icons	09
Operation	09-12
Wi-Fi and Pairing	13
Troubleshooting	14
Care & Cleaning	14
Specification	14
Technical Parameters	15
Conformity	15
Guarantee & Contacts	16















SAFETY INSTRUCTIONS

-
- Read ALL the instructions before using this product.
-
- Check that the heater and all supplied accessories are present and intact.
-
- Always check your mains supply is the same as that indicated on the product before connecting.
-
- Always disconnect the heater from the electrical supply before carrying out cleaning or maintenance. To disconnect the heater, power off the device then remove plug from the outlet.
-
- Always unplug the heater if it is going to be out of use for long periods of time.
-
- Do not use the heater near flammable or explosive materials.
-
- Do not use the heater if the casing, wire or plug are damaged.
-
- Avoid the use of an extension cord which may overheat and cause risk of fire. If an extension cord is necessary, it must be rated above the maximum rated power of the appliance. Care must be taken to arrange the cord so that it cannot be pulled or be tripped over.
-
- This appliance can be used by children aged from 8 years and above and persons with reduced physical, sensory or mental capabilities or lack of experience and knowledge if they have been given supervision or instruction concerning use of the appliance in a safe way and understand the hazards involved.
-
- If the supply cord is damaged, it must be replaced by the manufacturer, its service agent or similarly qualified persons in order to avoid a hazard.
-


LCD DISPLAY & CONTROL PANEL




ICONS

	Comfort mode		Time/temperature display
	Eco mode		Heating
	Anti-Frost mode		Child lock
	Timer mode		Wi-Fi icon
	Boost mode		Open window detection
	On/Off button		Down button
	Mode button		Up button

OPERATION

Press the Standby button  to turn the device on or off.
The device can also be controlled using the Wi-Fi functionality.

The  symbol will appear when heating is active, and disappear when heating is inactive.



Selecting Different Modes


When the device is on, press  to select the desired mode. The available modes are Comfort, Eco, Anti-frost, and Program.

In Program, the heating mode will automatically be determined by the selected program according to the current time and weekday (example: comfort mode at 18:00 in P1). The heating mode and timings can be customised in each profile.

Comfort Mode



Comfort mode is intended to be used when you are at home and need heating.


The default comfort temperature is 19°C. This can be adjusted within a range of 7-30°C, using the  and  buttons.

The  symbol will appear when heating is active, and disappear when heating is inactive.

Eco Mode

Eco mode is intended to be used when heating is required, but at a reduced cost or intensity.


The default eco temperature is 15.5°C. This can be adjusted within a range of 7-30°C, using the  and  buttons. The eco temperature cannot be set higher than the selected comfort temperature.

The  symbol will appear when heating is active, and disappear when heating is inactive.

Anti-frost Mode

Anti-frost mode is intended to be used when heating is not required, but the ambient temperature is low, to protect the radiator.



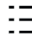
The set anti-frost temperature is 7°C. This cannot be adjusted.

The  symbol will appear when heating is active, and disappear when heating is inactive.

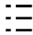
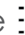

Setting the Time and Using Program Mode

When the device is first used, the time will flash as 00:00 and must be set.

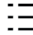
To do so, select Program mode and then hold the  button for 3 seconds.

The  and  buttons can then be used to adjust the current hour. Once the hour is set, press the  button again to adjust the current minute, and again to select the current day of the week.

Once the current time and day have been set, each program (P1 - P7) can be adjusted.

To do so, use the  button to select each mode and then use the  and  buttons to apply the selected mode to the desired hours of the day.

For example, select anti-frost and press the  button 7 times to enable anti-frost until 07:00, then press the  button to switch to comfort mode and press the  button 2 times to enable heating from 07:00 - 09:00.




Once the selected program has been set up as desired, hold the  button for 3 seconds to select the next program.


To enable timer mode from standby, press the  button until the  icon appears.

Child Lock

Child Lock can be used to prevent accidental button presses.

To enable/disable Child Lock, the device must be powered on.


To enable Child Lock, hold down the  and  buttons simultaneously for 3 seconds. A  symbol will appear on the screen and all other buttons will be disabled.

To disable Child Lock, hold down the  and  buttons simultaneously for 3 seconds. The  symbol will disappear.

NOTE: The Child Lock will not lock the  button.

On-Device Settings

Several settings can be controlled via the on-device settings menu.

To access the on-device settings menu, hold the  button for 5 seconds while the device is off.



There are three settings that can be changed in this menu:

- F0 - Temperature Correction
- F1 - Open Window Detection
- F2 - Wi-Fi Functionality.

Press the  button to cycle through each setting, and once again to exit the settings menu.

Temperature Correction

Temperature correction can be used to offset the measured temperature by up to a 5°C increase or decrease, in increments of 1°C.

To adjust temperature correction, select mode F0 in the on-device settings (see: "On-Device Settings") and use the  and  buttons to increase or decrease the temperature.

Open Window Detection

When open window detection is enabled, the device will disable heating and enable anti-frost if it detects a drop of 2°C to the ambient temperature within any 5 minute period.

By default, heating will be re-enabled after 1 hour. If the temperature continues to drop, it will be disabled again.

To enable or adjust open window detection, select mode F1 in the on-device settings (see: "On-Device Settings") and use the  and  buttons to cycle through 'oF', '60', and '90'.

oF - Off / Disabled

60 - Disables heating for 60 minutes if an open window is detected

90 - Disabled heating for 90 minutes if an open window is detected.

Wi-Fi Functionality

The Wi-Fi / app control functionality of the device can be enabled or disabled.

To enable or disable Wi-Fi functionality, select mode F2 in the on-device settings (see: "On-Device Settings") and use the  and  buttons to toggle the function on/off.

Default Settings

The device's default settings can be restored by holding the  button for 8 seconds while in standby mode.

The following default parameters will be restored:

Comfort Mode Temperature - 19°C

Eco Mode Temperature - 15.5°C

Time - 00:00


P1 - P7 - Eco Mode

F0 (Temperature Correction) - -2

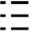
F1 (Open Window Detection) oF (off)

F2 (Wi-Fi Functionality) - On.

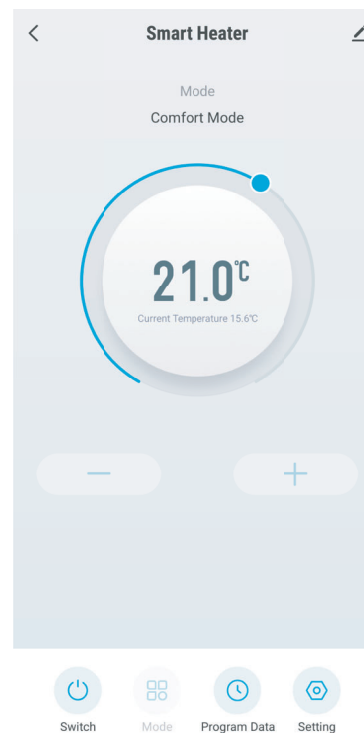
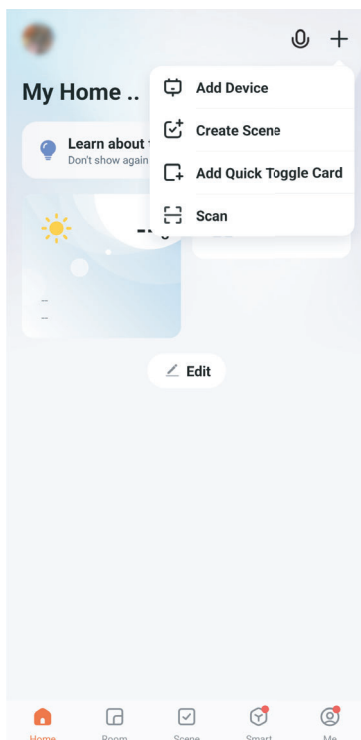
Wi-Fi Connection

- This product comes with a Wi-Fi  function. You can download the Tuya Smart app from the Google Play Store or Apple App Store using the QR code below and register an account.



- Once registration is complete, you can enable pairing mode on the device by holding the  button down for 3 seconds while it is turned off. A 180 second countdown will display.
- In the Tuya Smart app, press **+** in the top right to add device, or press “Add Device.”
- Follow the instructions shown on the app to connect your device.
- You can now use the Tuya Smart app on your phone to control the device.

NOTE: If pairing mode does not initiate, ensure Wi-Fi mode is enabled in the on-device settings (see: On-Device Settings).



TROUBLESHOOTING

PROBLEM	SOLUTION
The appliance does not heat	<ol style="list-style-type: none">1. Ensure that Comfort or Eco are selected and the set temperature is higher than the ambient temperature.2. Close any open windows or disable Open Window Detection.

CARE & CLEANING

1. Before cleaning, switch off the device.
2. Use a damp cloth to clean the housing of the device.
3. Never immerse the device in water or allow water to enter the device.

SPECIFICATION

Supply Voltage	-	230V / 50Hz (600-1200W)
----------------	---	-------------------------

Class	-	II
-------	---	----

IP	-	IPX4
----	---	------

TECHNICAL PARAMETERS

Model Number: FLS-ows03-600W, FLS-ows-03-1200W

Item	Symbol	Value, 600W	Value, 1200W
Ambient Temperature	°C	22.6	
Relative Humidity	%	41.3	
Test Voltage/ Frequency	V/Hz	AC 230V, 50HZ	
Rms Input Voltage	V	AC 230.8V	
Total Harmonic Distortion (THD)	V%	0.270	0.266
Total Harmonic Distortion (THD)	A%	--	
True Power Factor	/	0.2785	0.2790
Rms Standby Mode Power	W	0.691	0.686
Rms Off Mode Power	W	0.691	0.686
Rms Other Condition Mode Power	W	--	
Maximum Power Consumption in 'standby mode' or 'off mode' (effective date: Jan,7. 2013)	W	1.0	
Networked Equipment	/	/	
Rms Networked Standby Mode Power for Networked Equipment	W	N/A	
Maximum Power Consumption in 'networked standby mode'	W	N/A	

CONFORMITY WITH DIRECTIVES

Conforms with relevant European Directives

AFFIX RECEIPT OR PROOF
OF PURCHASE HERE

ENVIRONMENTAL PROTECTION

- (WEEE) Waste Electrical and Electronic Equipment

Waste electrical products should not be disposed of with household waste. Please recycle where facilities exist. Check with your Local Authority or retailer for recycling advice.



GUARANTEE

For your convenience, you are not required to complete a form and return it to us in order to validate your guarantee. However, please ensure that you retain your receipt which will act as both proof of purchase and a guarantee validation document. **We recommend that you attach your receipt to this documentation.**

Your product carries a 12 month guarantee from the date of original purchase (or as otherwise provided in writing at point of purchase). If your product fails to operate to its specification, due to faulty workmanship or materials during the guarantee period, we will either repair or replace the product. We will use our discretion to determine whether to offer a repair or provide a replacement. The product will not be covered by the guarantee if it has been misused, transformed, modified or altered in any way.

If your product fails within the guarantee period please ensure that you have all necessary documentation available including proof of purchase (receipt or invoice with serial number, location and date of purchase) in addition to all original undamaged packaging and leaflets etc. It is strongly recommended that you inspect your product carefully before it is used or installed. For full details of your product you should refer to the instruction manual which accompanies the product. You are strongly advised to read this manual carefully in its entirety and to retain it for future reference.

This product guarantee does not affect your statutory rights.

CUSTOMER HELPLINE

+44 (0) 3300 882 069

customer.support@firedupcorporation.com



www.firedupcorporation.com

Fired Up Corporation Ltd
Fired Up Buildings
HD1 3LF, UK

Fired Up Corporation
(Ireland) Ltd
71, D02 P593, Dublin