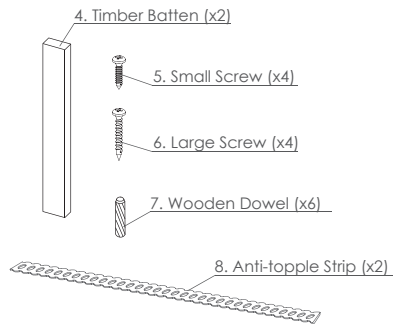
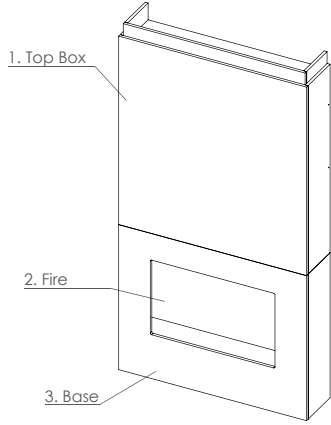


# Orlando Fully Inset Media Wall 1, 2



**1.**

Position the base against the wall and, using the appropriate fixings, secure the anti-topple strips to the wall.

**2.**

6 x Wooden Dowels

Insert 6 x wooden dowels into the top of the base.

**3.**

Using a spirit level so that the lines are straight, measure 1050mm from the top of the base and mark a line 18mm inward of the outer face of the base on the wall. Do this on both sides of the base.

**4.**

Using the appropriate fixings, securely fit 2 x timber battens to the inside of the lines marked on the wall.

**5.**

With help, carefully lift the top box above the base. Then, lower and sit the top box onto the dowels on top of the base.

**Once in position, to prevent the top box falling, do not leave unattended until it has been fixed to the wall.**

**6.**

Keeping the top box pressed firmly against the wall, screw into the pre-drilled holes in the side of the top box using the 4 x large screws provided.

Ensure the screws are tight and the top box is securely fixed in-position before releasing.

**7.**

Prepare and paint the outer surfaces of the media wall in the desired colour.

**8.**

Once the media wall is painted and dry, lift the fire with help into the front opening, ensuring the plug is routed behind the opening first.

**9.**

Refit the glass front by sliding it down onto the fire at a 45° angle as shown.

Once in-place, use the 2 x original screws from the glass to secure the glass front.