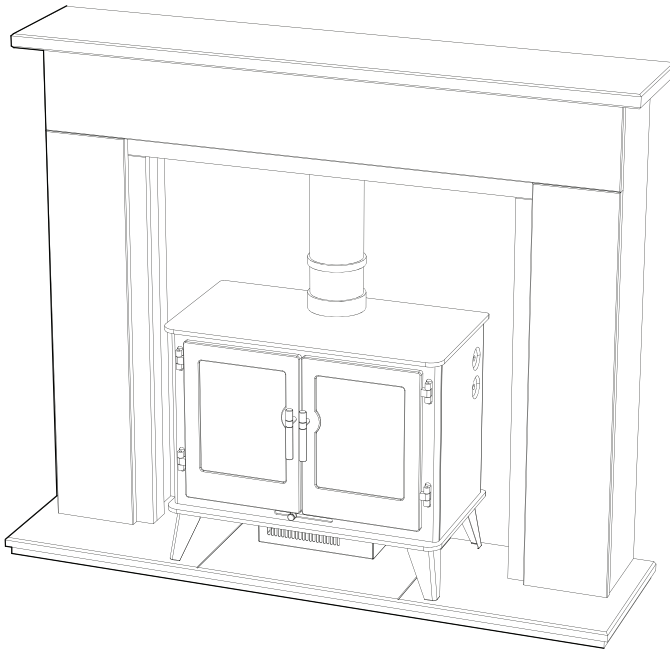


MARBLE ELECTRIC STOVE SUITE

Installation Guide



* Note - Image for illustrative purposes
Surround and stove design will vary depending on model chosen.

Please read through the use & care manual provided with this product first.

www.firedupcorporation.com/manual

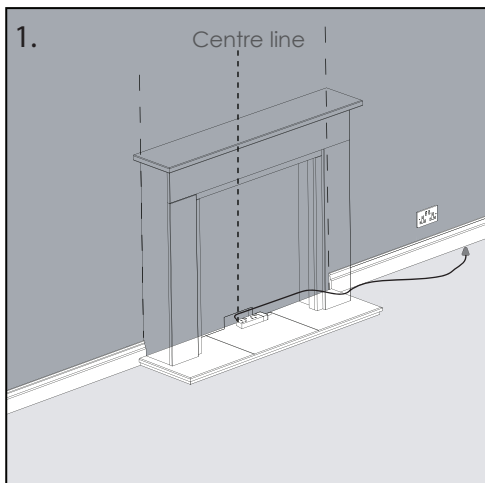
PARTS SUPPLIED

- 4x2 Timber - 995mm Length (x2)
- Surround
- Shelf
- Header Return
- Slate Chamber - Backpanel
- Slate Chamber - Inner Return (x2)
- Fixing Kit

TOOLS & PARTS REQUIRED

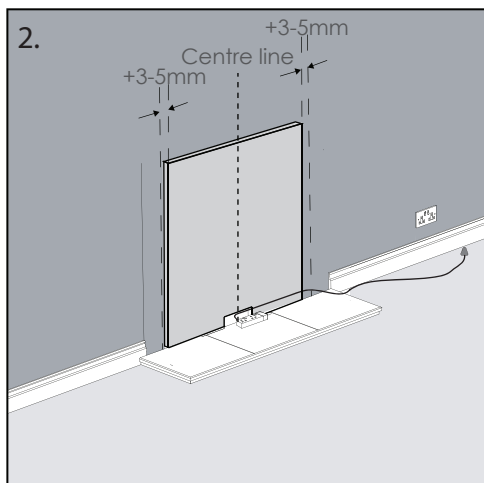
- Pencil/Pen
- Drill & 6mm Drill Bit
- 2 Gang Extension Lead (Recommended)
- Grab Adhesive
- Silicone / Caulk

Installation

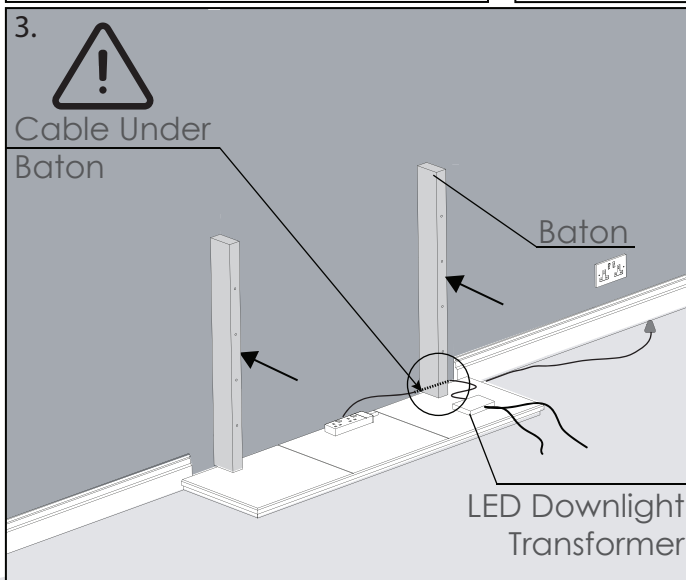


1. Make the relevant cuts to the skirting board to accommodate the width of the fireplace body.

Position the hearth & feed a double socket extension lead to the centre of the hearth.

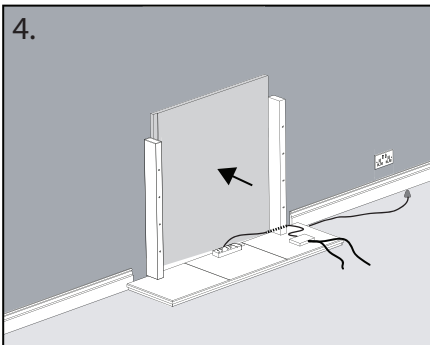


2. Measure the chamber back panel & add 3 to 5mm to each side. Mark this line on each side.

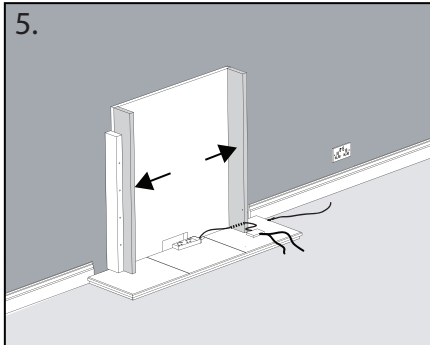


3. **!** Prior to baton fitting, obtain the LED downlight set and plug into the extension. Feed the rest of the cable behind the hearth towards the cable side, underneath the baton.

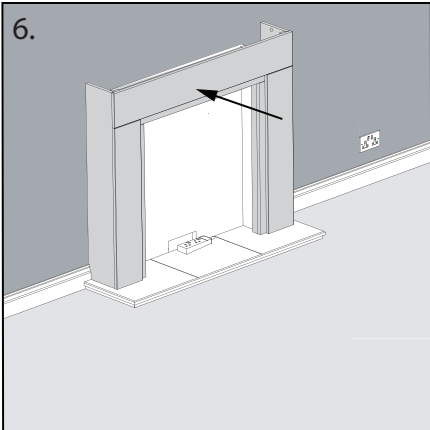
Fix 2 x 955mm batons of 4" x 2" to the outside of the lines marked on the wall. This should allow an internal space of the back panel width + 3 to 5mm on each side.



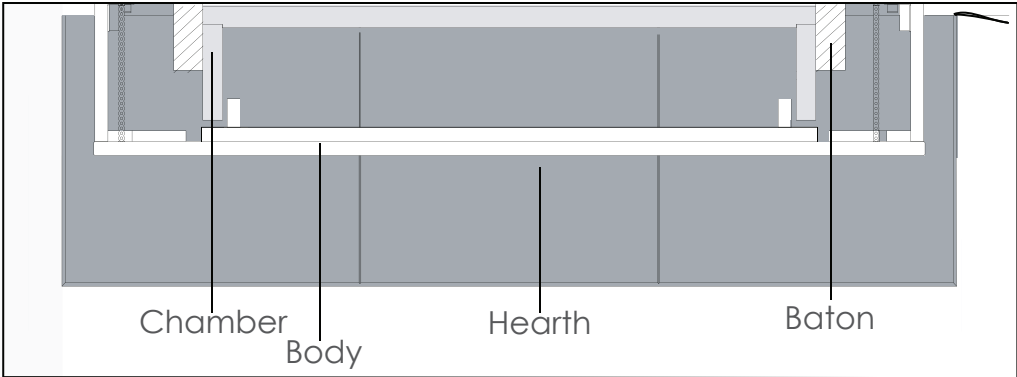
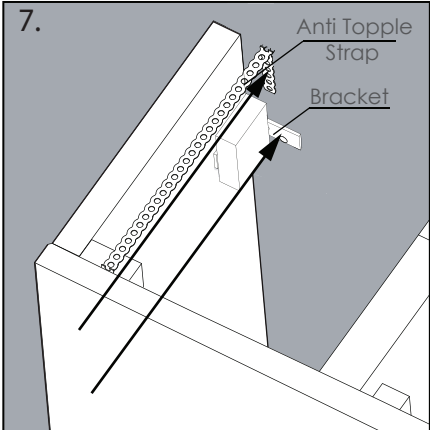
4. Using grab adhesive, adhere the chamber back panel flat to the wall, leaving an even gap between the 2 fixed batons. Ensure the extension sockets are fed through the cut out of the back panel.

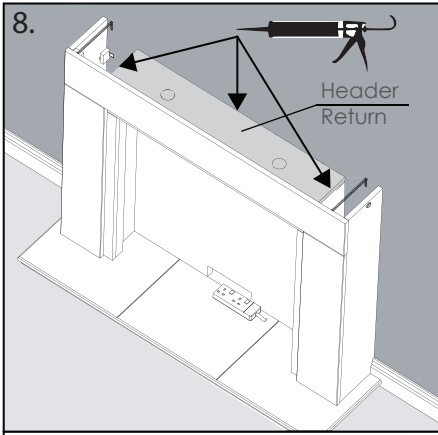


5. Using grab adhesive, adhere the chamber sides to the batons ensuring the sides are pushed up tight to the back panel.

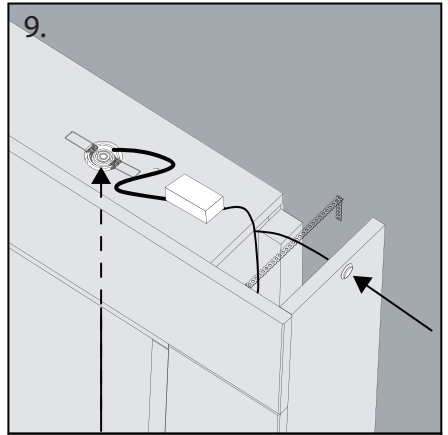


6. Position the fireplace body and fix to the wall using the anti-topple straps and brackets provided, as shown in Illustration 7.

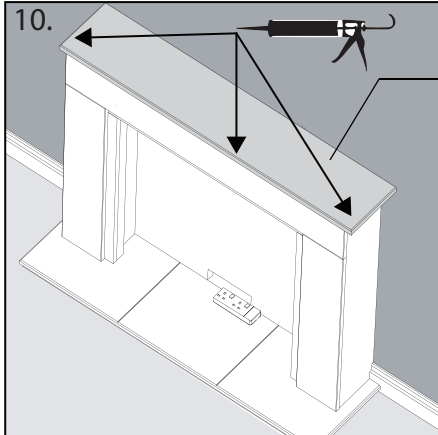




Using 'pea sized' dabs of silicone, adhere the header return to the chamber back panel & sides



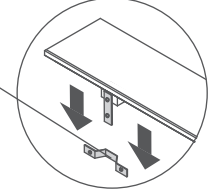
Insert the down lights and connect the switch to the right leg.



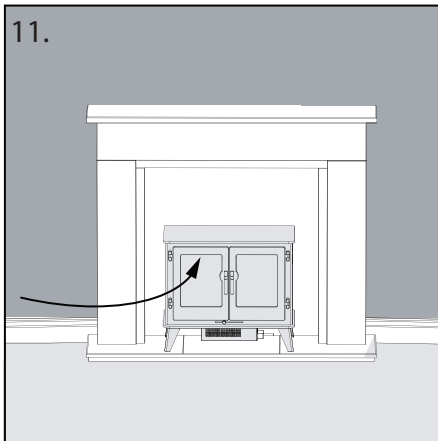
Using 'pea sized' dabs of silicone, adhere the underside of the shelf to the chamber back panel & sides.

Use fixing blocks to secure fixing brackets to the shelf (if supplied as separate parts - use appropriate fixing methods).

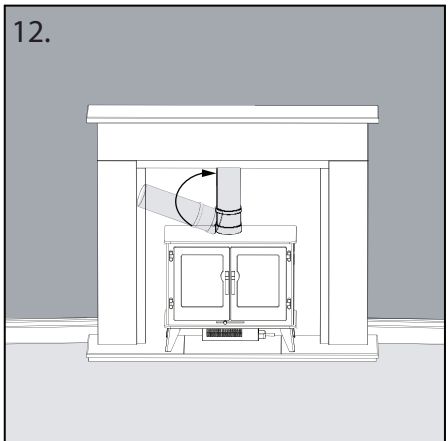
Secure stand-off bracket to the wall



Carefully lower shelf onto the fireplace body, ensuring fixing brackets sit in stand-off brackets.



Place Stove in position



Place Stove pipe in position