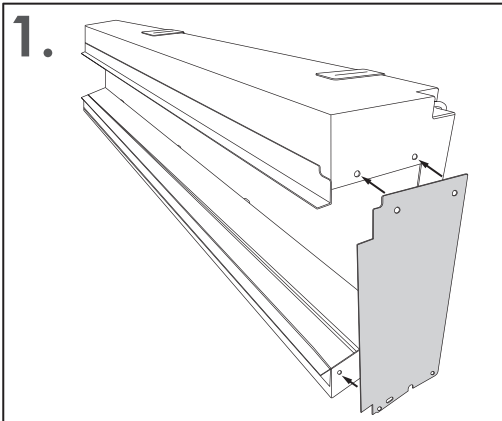
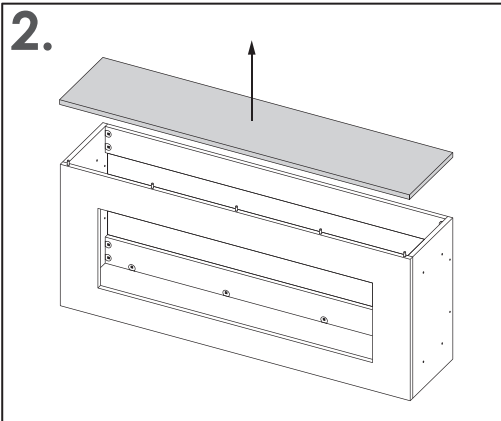


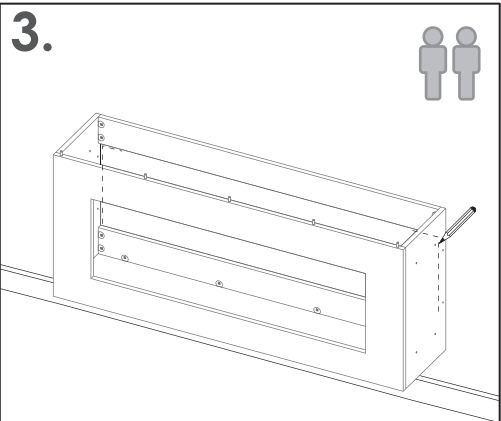
# Floating Media Wall



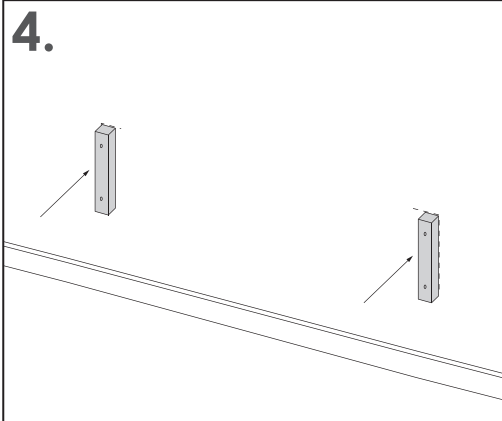
**1.** Following the instructions provided with the metal side plates, remove the brackets and attach the side plates to the fire.



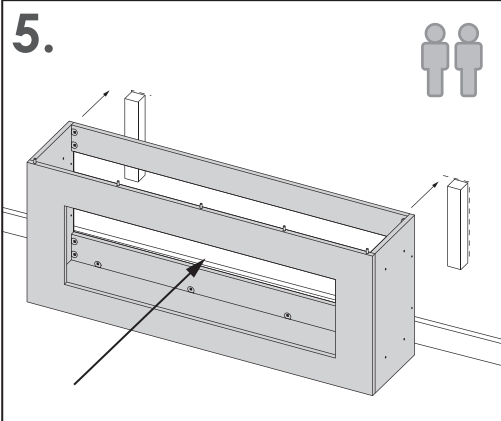
**2.** Remove the worktop from the fire unit by carefully lifting the worktop upwards.



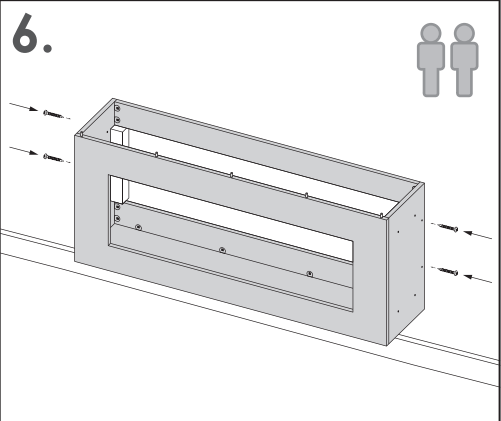
**3.** With help, hold (or prop) the fire unit against the wall at the chosen height. Ensure the fire unit is level and using a pencil, mark the inside both sides and under the top support on the wall.



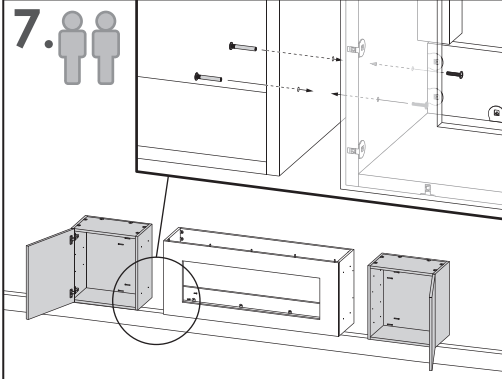
**4.** Place the fire unit on the floor and, using the appropriate fixings, securely fit 2 x Short Timber Battens to the INSIDE of the lines marked on the wall.



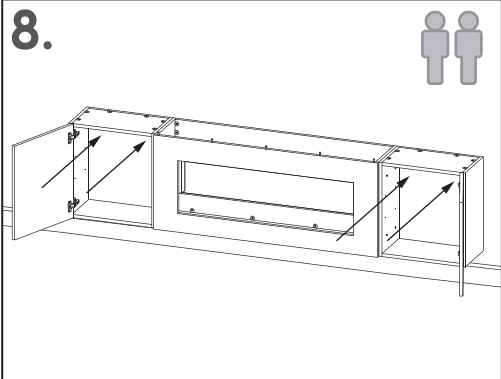
**5.** With help, lift and hang the fire unit on the battens.



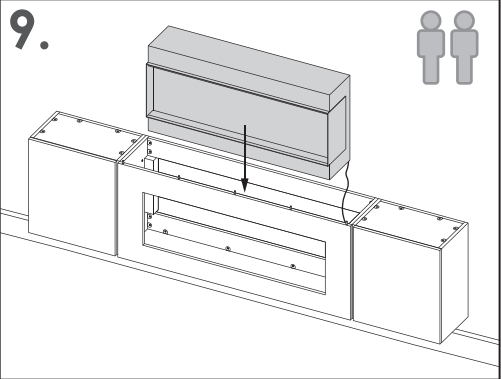
**6.** Keeping the fire unit pressed firmly against the wall, use 4 x Large Screws to fix the product to the battens through the pre-drilled holes.



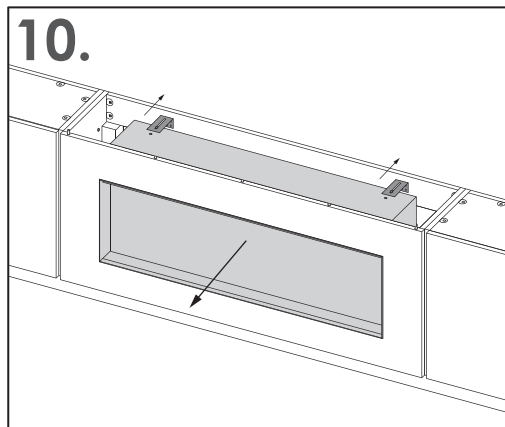
**7.** With help, one at a time, line up the cupboards with the fire unit. Keep these lifted/supported and ensure they are level with the fire unit. Fix the cupboards to the fire unit using the connecting screws and screw sleeves provided.



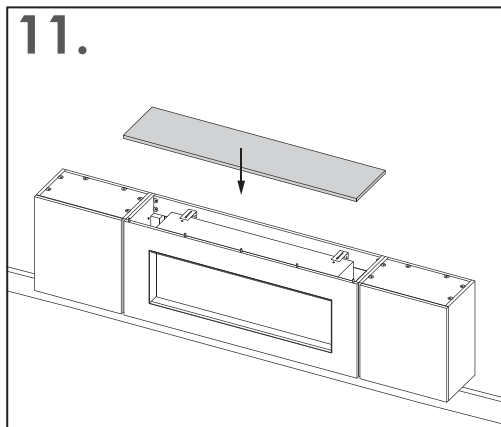
**8.** Using an appropriate fixing method, fix the cupboards to the wall for added strength and security.



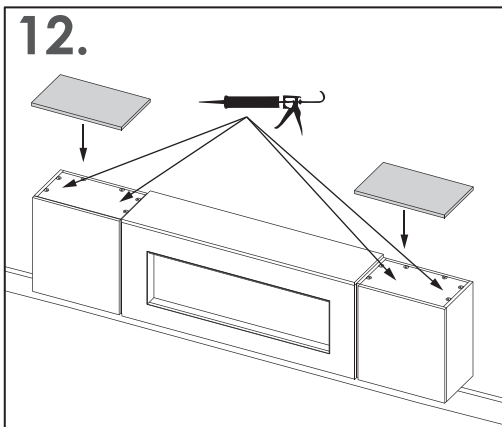
**9.** With help, lift the fire and carefully place it inside the fire unit.



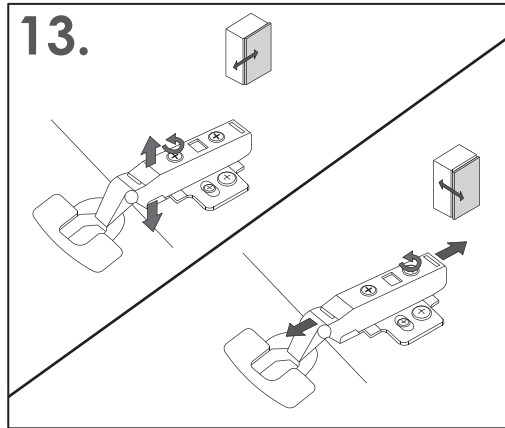
**10.**  
Push the fire into the opening. It is recommended that the brackets on top of the fire are loosened, pushed against the back of the fire unit and tightened again to stop the fire being pushed backwards.



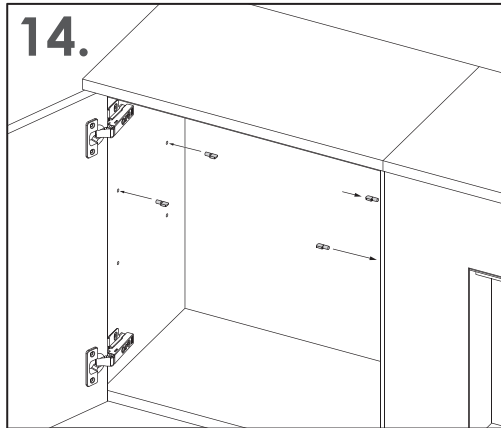
**11.**  
Fix the fire unit worktop back onto the dowels on the fire unit.



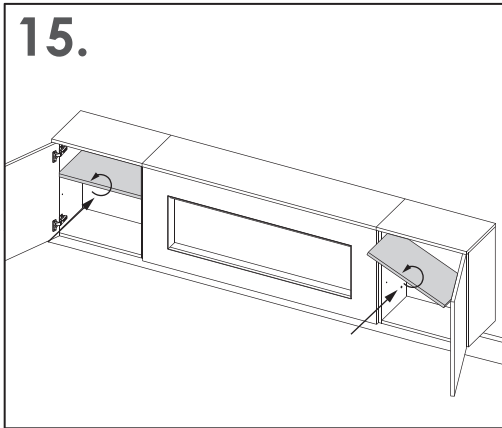
**12.**  
Using the fire unit worktop as a reference, fix the cupboard worktops to the cupboards using an appropriate adhesive. Ensure the worktops align and are level with each other.



**13.**  
Now the worktops are on, using a screwdriver, adjust the hinges on the cupboards to ensure the doors are square and level. Follow the diagram above to adjust the door sideways, forward or backwards.

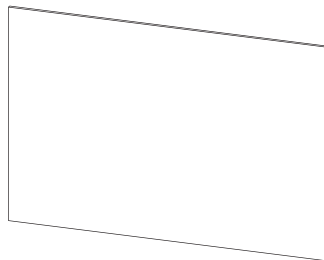


**14.**  
Insert the shelf pegs into the pre-drilled holes at the desired height in both cupboards.



**15.**  
Tilt the shelves and insert them into the cupboards. Rest the shelves on the shelf pegs.

## TV Board (if applicable)



If fitting the TV Board, please use an appropriate fixing method to secure the TV board to the wall.

Please note that additional fixings and materials may be required to mount the TV board to the wall in order to achieve your desired effect.

**ATTENTION:** The TV Board is suitable for wall mounted TV and TV brackets upto 35kg.

If fitting a TV directly to the TV Board, it is recommended that a flat TV bracket is used. Additional support/fixings may be required if an alternative wall mounting method is desired.

**Disclaimer:** Fired Up Corporation will not accept responsibility for any damages incurred relating to the installation of the TV Board.



[www.firedupcorporation.com](http://www.firedupcorporation.com)

Fired Up Corporation Ltd  
Fired Up Buildings  
HD1 3LF, UK

Fired Up Corporation  
(Ireland) Ltd  
71, D02 P593, Dublin