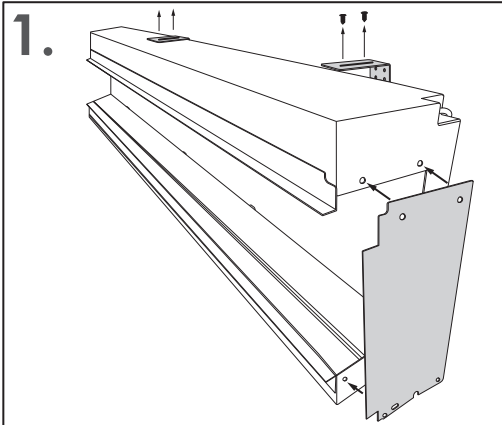
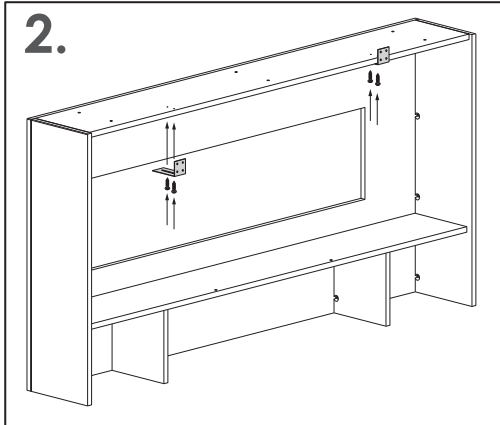


Media Wall



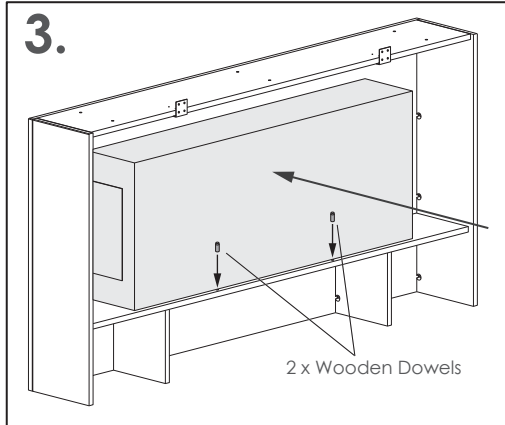
1. Following the instructions provided, attach the metal side plates to the fire.

Then, remove the 2 x metal brackets on the top of the fire using a screwdriver.



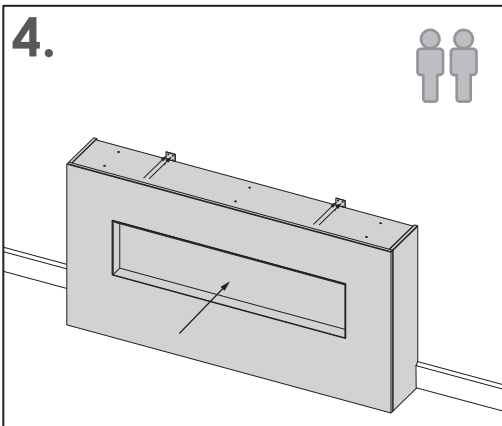
2. Using the 4 x small screws supplied, turn the brackets from the fire around and fix to the **UNDERSIDE** of the base top. Use the pilot holes to locate the brackets.

Ensure the brackets will reach the wall and tighten to fix in place.

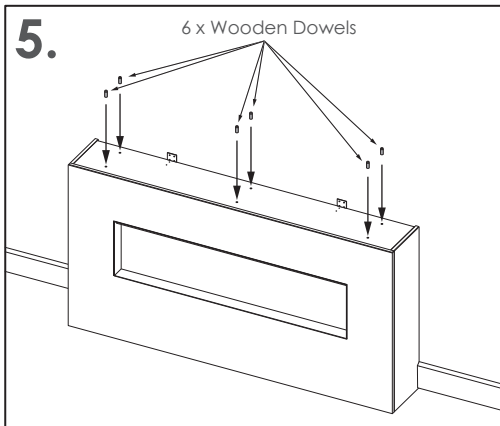


3. Insert the fire into the base, pushing the fire into the cut out.

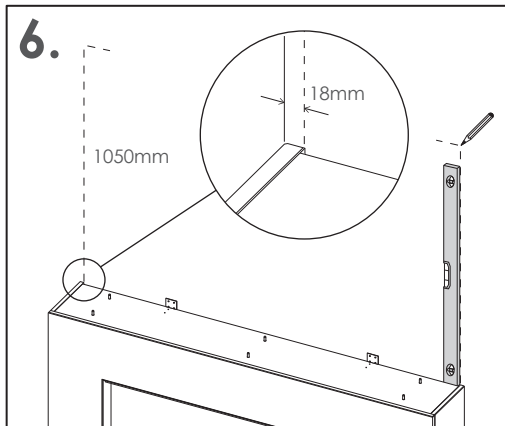
Once in position, Insert 2 x dowels into the shelf to secure the fire.



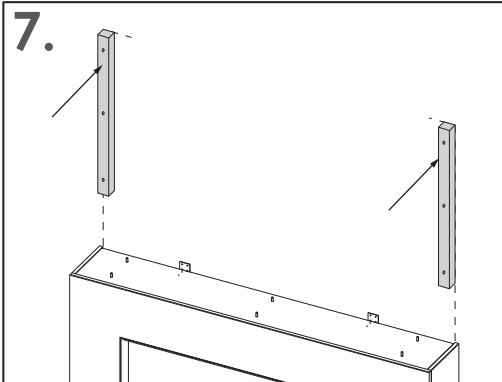
4. Position the base against the wall and, using the appropriate fixings, secure the brackets to the wall.



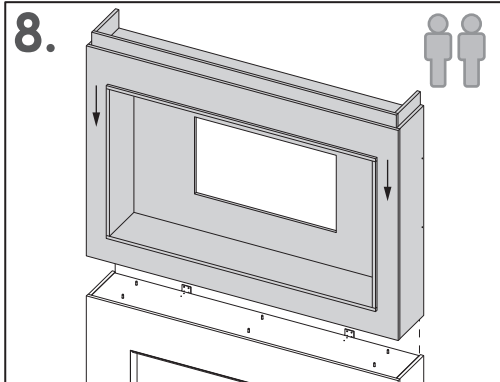
5. Insert 6 x dowels into the holes on top of the base.



6. Using a spirit level so the lines are straight. Measure 1050mm from the top of the base and mark a line 18mm inward of the outer face of the base on the wall. Do this on both sides of the base.

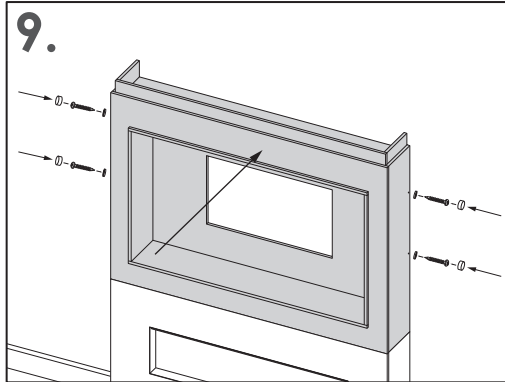


7. Using the appropriate fixings, securely fit 2 x timber battens to the inside of the lines marked on the wall.



8. With help, carefully lift the top box then lower and sit the top box onto the dowels on top of the base.

Once in position, to prevent the top box falling, do not leave unattended until it has been fixed to the wall.



9. Keep the top box pressed firmly against the wall. Then, using the 4 x large screws provided, metal screw cap washers and 4 x the pre-drilled holes, drill into the timber battens fixed to the wall.

Ensure the screws are tight and the top box is secure before releasing. Screw the metal caps over the screws.