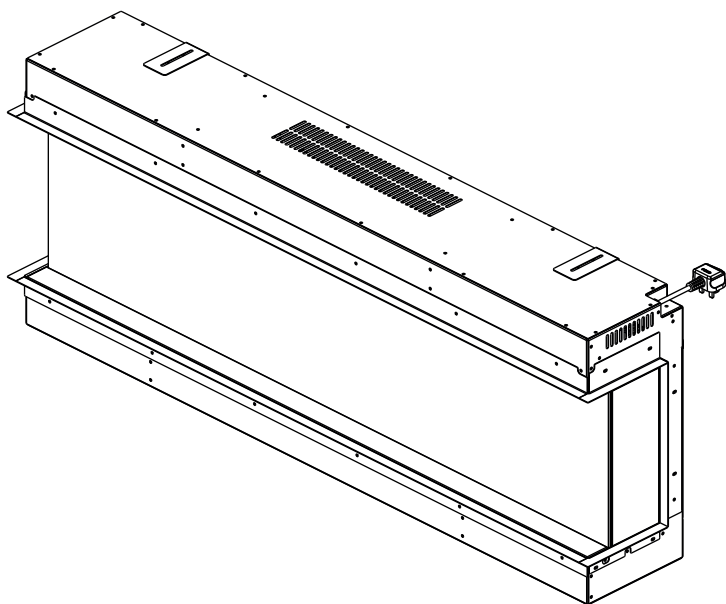


SPLIT LOG SET FOR MEDIA WALL FIRES

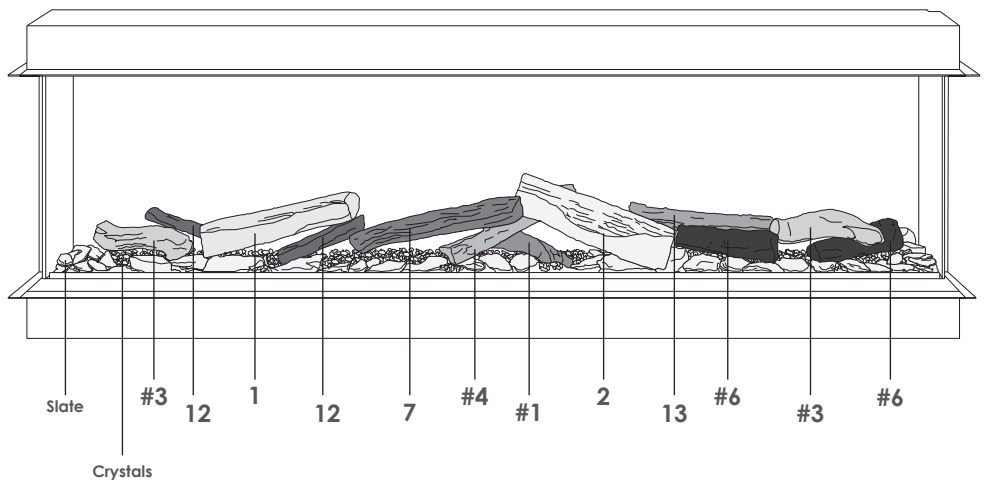
(This guide is to be used in conjunction with the manual supplied with the fire)



Please read through the use & care manual provided with this product first.

www.firedupcorporation.com/manual

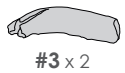
*The example shown is for the 1250 Media Wall Fire.



Log Identification

This fire is supplied with 2 log sets therefore some logs across these sets may be numbered the same. To help identify the correct logs, the logs in the Split Log Set are physically numbered.

Media Wall Log Set



Split Log Set

