

Dear customer,

Thank you for your request for colour samples of MEDIA WALLS.

MEDIA WALLS are a fantastic solution of combining your media equipment with your fireplace whilst hiding all those unsightly cables.

Our MEDIA WALLS are designed to transform your living space in the simplest and quickest way possible, without the need for multiple tradesman. Choose from unfinished 'easy to paint' options to quality finished textured effects in a range of sizes to accommodate your media equipment.

To show how easy our MEDIA WALLS are to install, please scan the QR code below or view the installation guide example on the reverse of this letter.

Please find the following colours enclosed:

- Concrete effect
- Venetian plaster effect – Bronze
- Venetian plaster effect – Slate
- Oak effect

Please be aware that all Media walls will have edging on all visible edges.

If you are only looking for a fire, then why not look at our range of Adam & Acantha MEDIA WALL FIRES .

Below are some of the features:

- Panoramic, Corner view & Fully inset options
- Built in digital display
- Multiple colour settings
- 3D flame technology
- 7 day timer with remote control
- Thermostatically controlled
- Heat output up to 2kW

Scan the QR codes below to view the videos:

MEDIA WALL
Installation



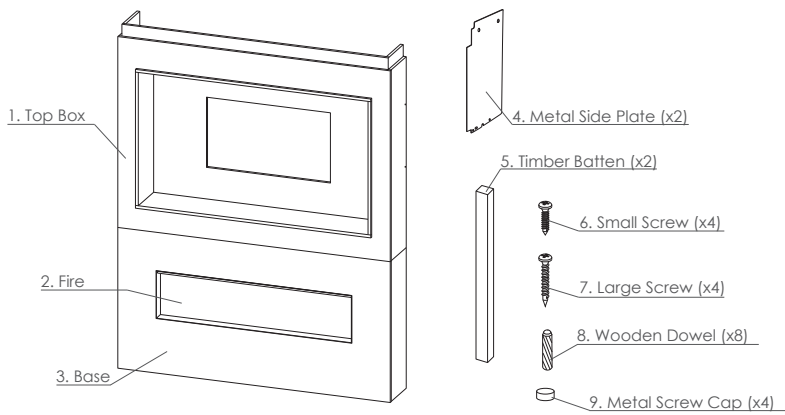
Acantha Aspire
MEDIA FIRES



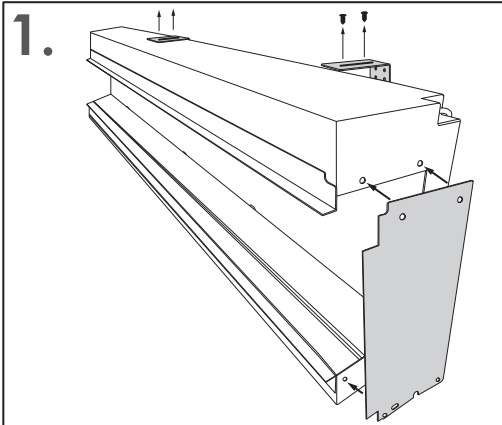
Adam Sahara
MEDIA FIRES



If there is anything else we can do for you, please do not hesitate to contact us on 03300 882 069.

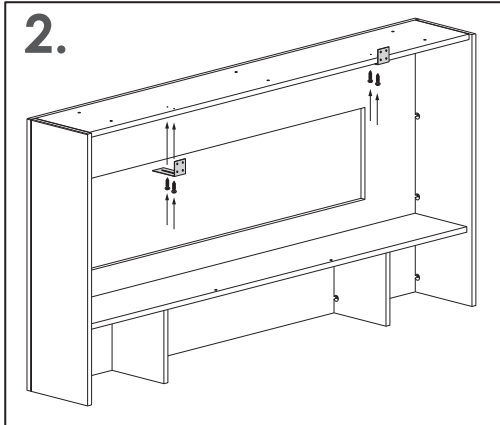


Nexus Media Wall



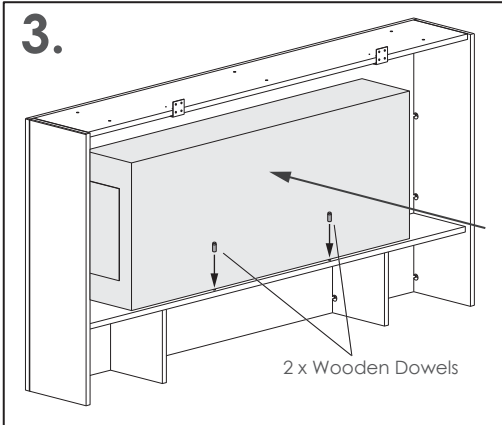
Following the instructions provided, attach the metal side plates to the fire.

Then, remove the 2 x metal brackets on the top of the fire using a screwdriver.



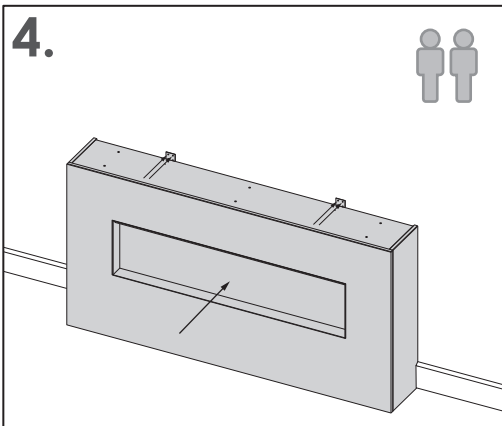
Using the 4 x small screws supplied, turn the brackets from the fire around and fix to the **UNDERSIDE** of the base top. Use the pilot holes to locate the brackets.

Ensure the brackets will reach the wall and tighten to fix in place.

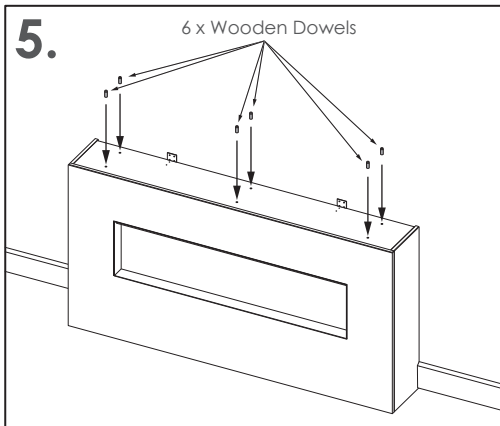


Insert the fire into the base, pushing the fire into the cut out.

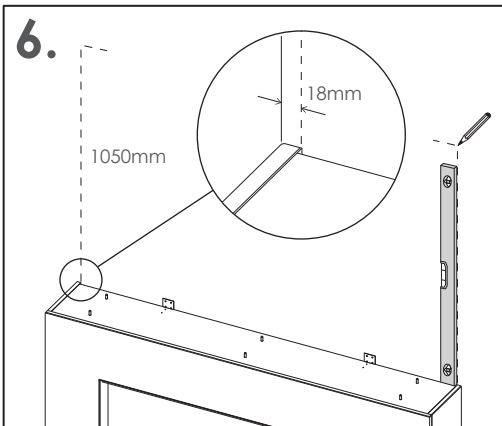
Once in position, Insert 2 x dowels into the shelf to secure the fire.



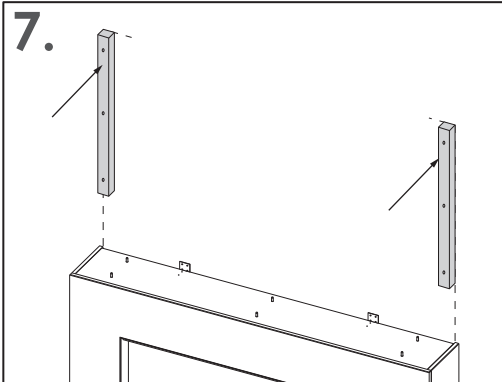
Position the base against the wall and, using the appropriate fixings, secure the brackets to the wall.



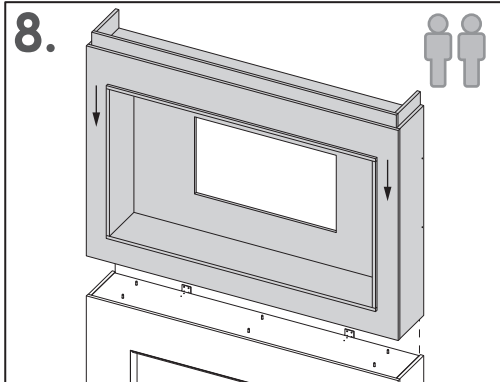
Insert 6 x dowels into the holes on top of the base.



Using a spirit level so the lines are straight. Measure 1050mm from the top of the base and mark a line 18mm inward of the outer face of the base on the wall. Do this on both sides of the base.

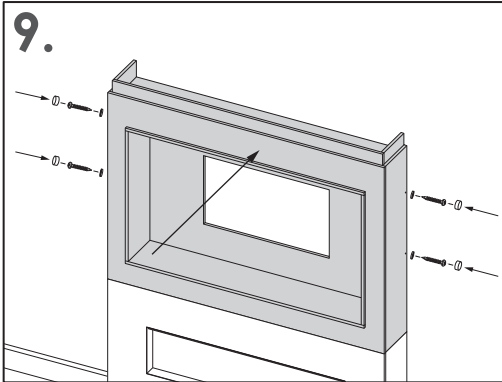


Using the appropriate fixings, securely fit 2 x timber battens to the inside of the lines marked on the wall.



With help, carefully lift the top box then lower and sit the top box onto the dowels on top of the base.

Once in position, to prevent the top box falling, do not leave unattended until it has been fixed to the wall.



Keep the top box pressed firmly against the wall. Then, using the 4 x large screws provided, metal screw cap washers and 4 x the pre-drilled holes, drill into the timber battens fixed to the wall.

Ensure the screws are tight and the top box is secure before releasing. Screw the metal caps over the screws.