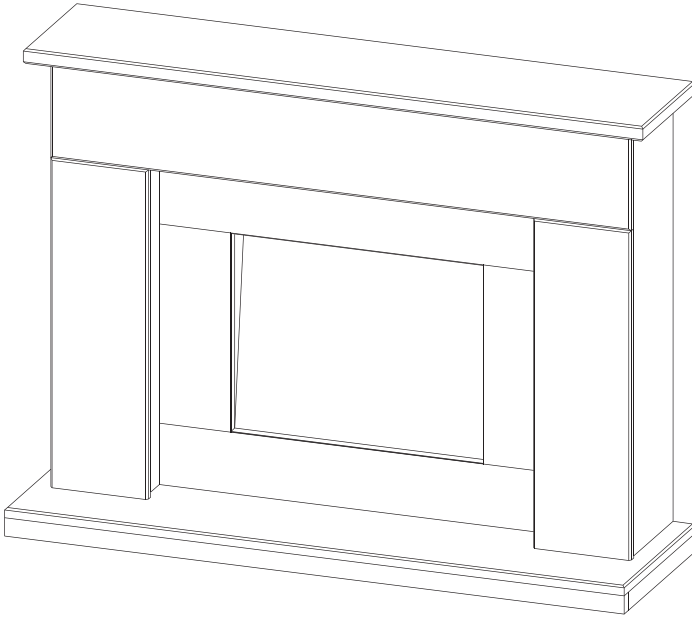


# MARBLE FIREPLACE SUITE

## Installation Guide



Please read through the use & care manual provided with this product first.

[www.firedupcorporation.com/manual](http://www.firedupcorporation.com/manual)

## PARTS SUPPLIED

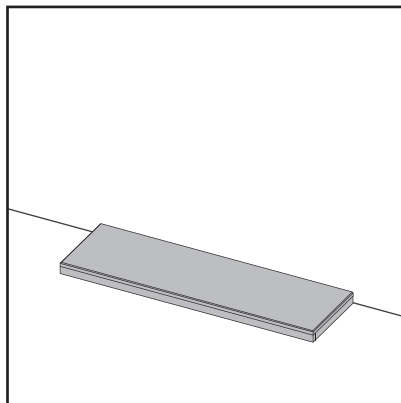
- Hearth
- Surround
- Shelf
- Back Panel
- MDF Plinth
- Fire

## TOOLS & PARTS REQUIRED

- Pencil/Pen
- Drill & 6mm Drill Bit
- Silicone / Caulk

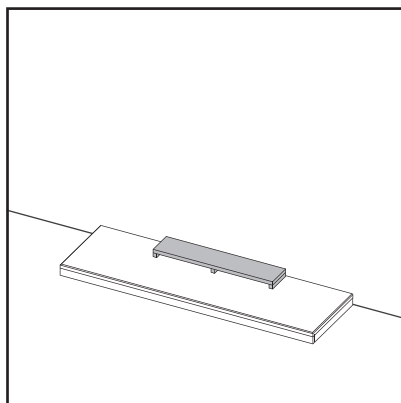
## Installation

1. Push the hearth against the wall, ensuring it is level and secure.

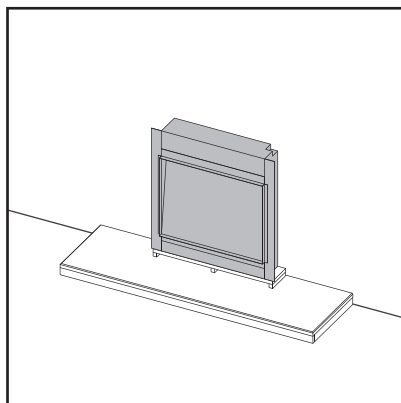


2. Position the plinth on the hearth, ensure it is central.

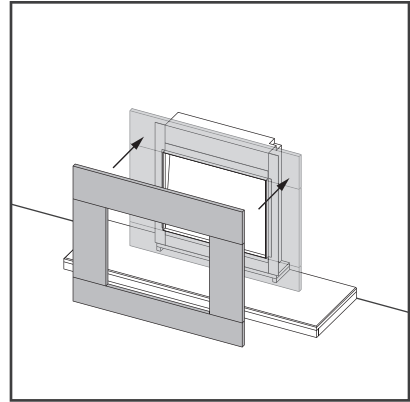
Note: Do not push the plinth flat against the wall. Leave a gap of roughly 5mm away from the wall.



3. Lift and place the fire onto the plinth.



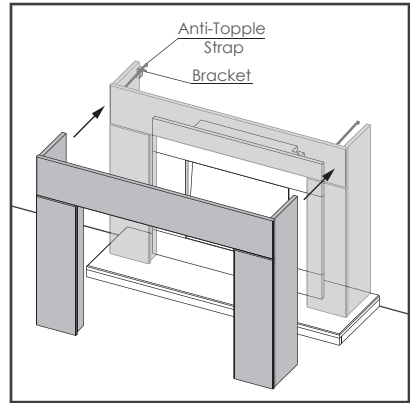
4. Lift the back panel onto the hearth and push against the fire, ensuring the fire slides into the opening.



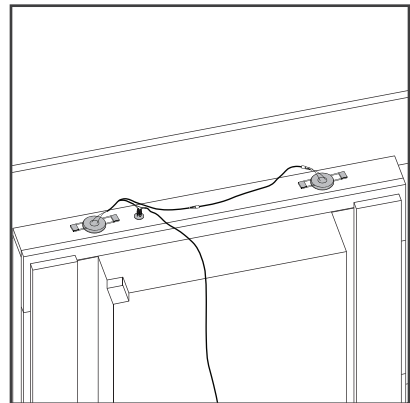
5. With help, lift the body onto the hearth and push back against the back panel and wall.

Ensure the fire, back panel and body remain central to the hearth.

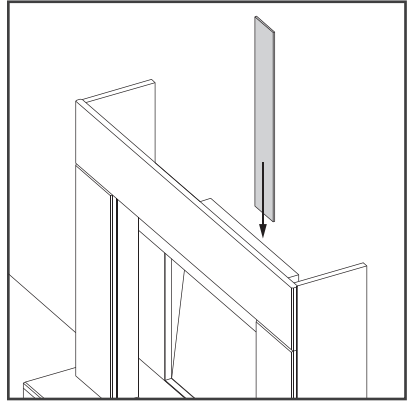
Fix the body to the wall using the brackets and anti-topple straps attached.



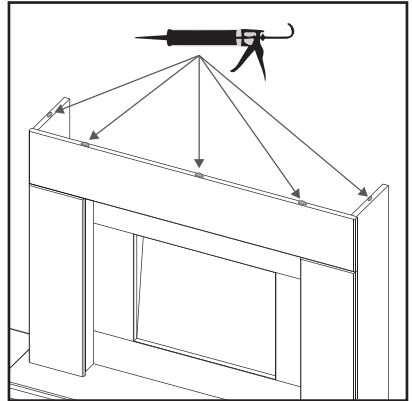
6. Once the body is in place, fit the downlights. Please refer to the downlight instructions to install.



- 7. Insert a packer behind the fire to firmly push the fire and the back panel against the body.  
**Note:** Ensure no vents on the back of the fire are covered by the packer.



- 8. Apply "pea sized" dabs of adhesive onto the top edge of the surround.



- 9. With help, lift the shelf and slowly lower onto the surround  
Check the shelf is central once lowered into position, adjust accordingly before the adhesive sets.

