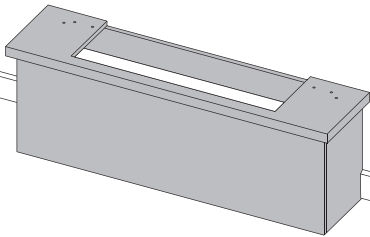


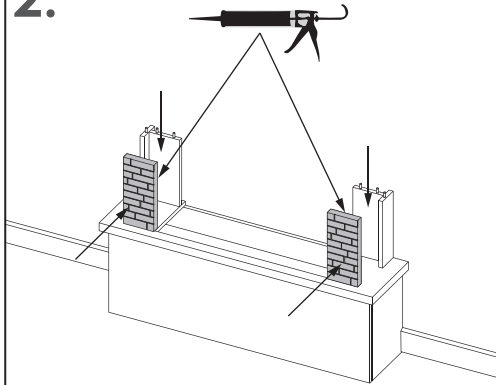
Pre-Built Media Wall with Slate and Downlights

1.



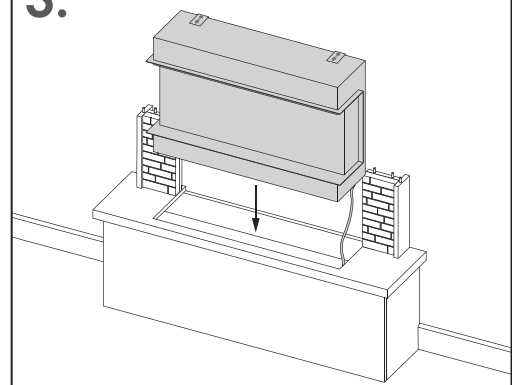
Place the base on the floor, ensuring it is pushed against the wall.

2.



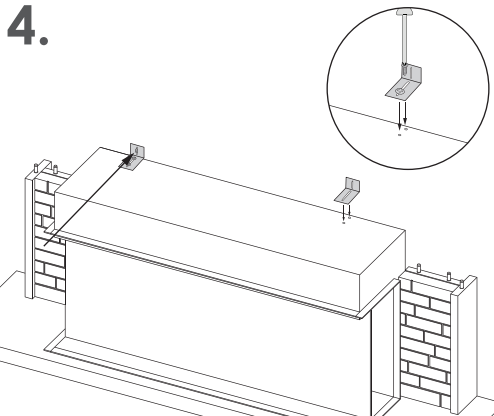
Insert the 2 x side panels into the base and, using appropriate adhesive, glue the slate onto the side panels.

3.



With help, carefully lift the fire and feed the plug into the base and connect to the power supply. Then lower the fire into the base and gently push the fire back against the side panels.

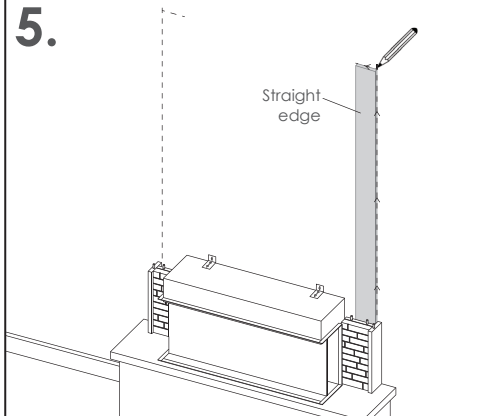
4.



Remove the 2 x brackets on top of the fire, then turn the brackets over and reattach them, loosely, to the top of the fire.

Slide the brackets against the wall and fix to the wall using the appropriate fixings. Once fixed to the wall, tighten the brackets to the fire.

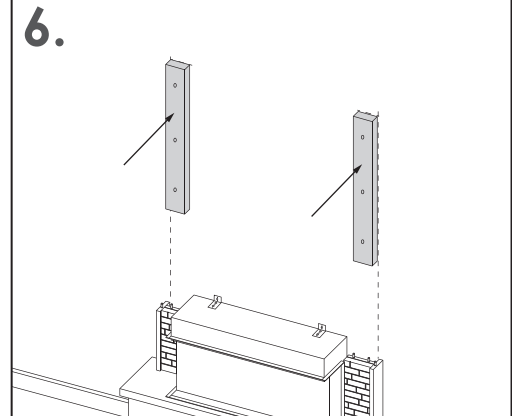
5.



To mark the height for the timber battens, place the straight edge onto the base and push it firmly against the inside of the side panel and back against the wall.

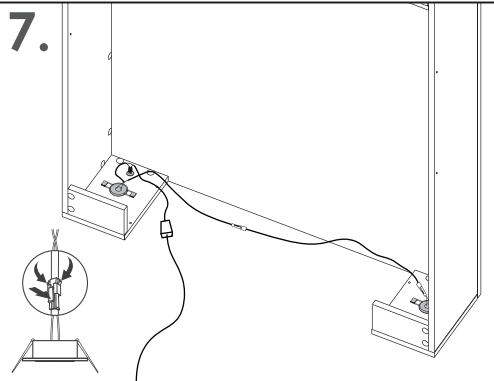
Mark the wall at the top & outer side of the straight edge. Do this on the left and right.

6.



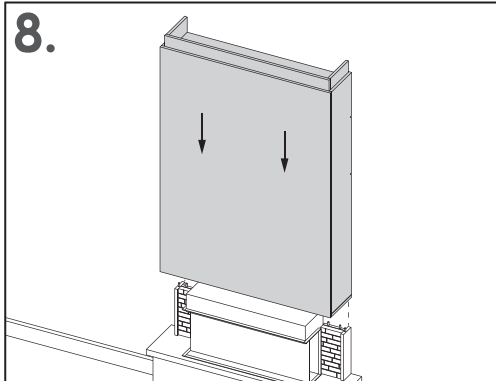
Using the appropriate fixings, securely fit 2 x timber battens to the wall using the pencil lines as a reference.

7.



Fit the downlights and switch into the top box. Please refer to the downlight instructions to install these.

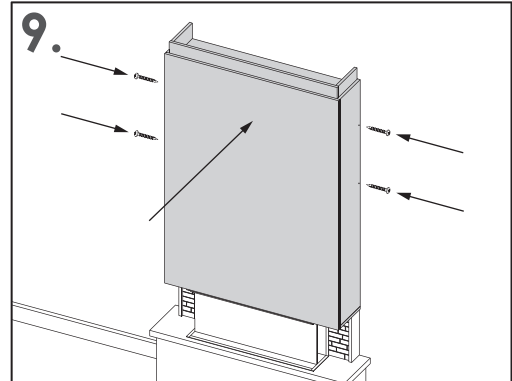
8.



With help, carefully lift the top box over the fire, then lower and sit the top box onto the dowels on each side panel.

Once in position, ensure it is not left unattended and is held in place to prevent the possibility of the box falling forward.

9.



Keep the top box pressed firmly against the wall. Then, using the 4 x large screws provided, screw into the pre-drilled holes in the side of the top box to fix the top box in position.

Ensure the screws are tight and the top box is secure before releasing.

10. Your Media Wall is now ready to prepare and paint.