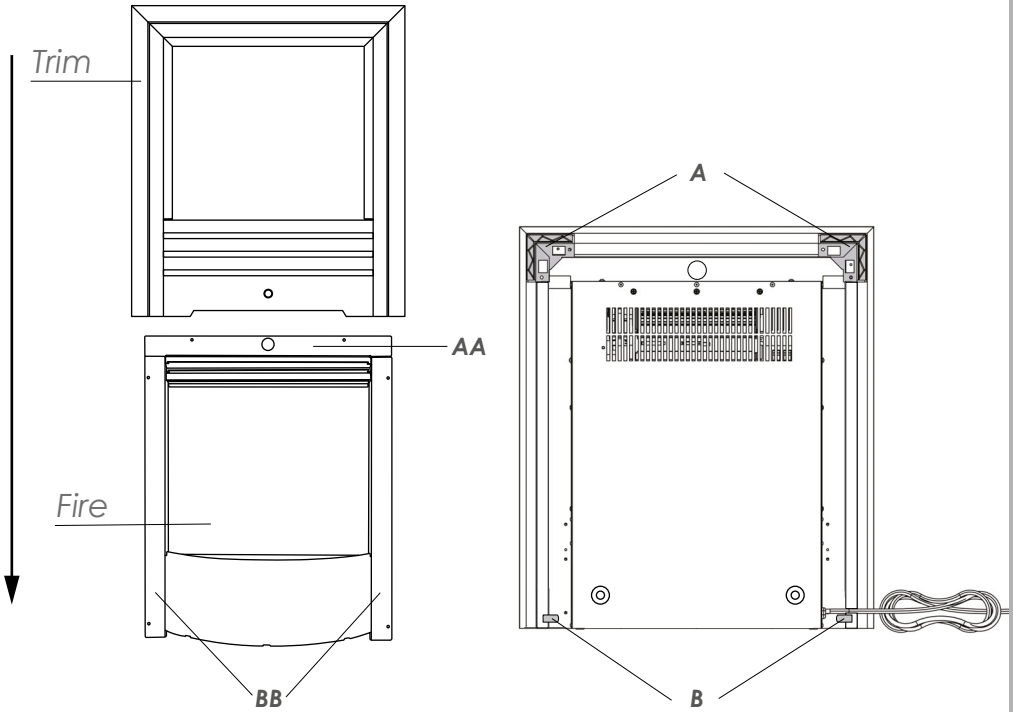


FITTING THE TRIM

Slide the trim onto the fire. **A** slides behind **AA**, **B** slides behind **BB**



FITTING THE FIRE

Affix the 3 x neoprene strips to the back edge of the fire trim. Push the fire firmly against the back panel to fix the fire in place.

