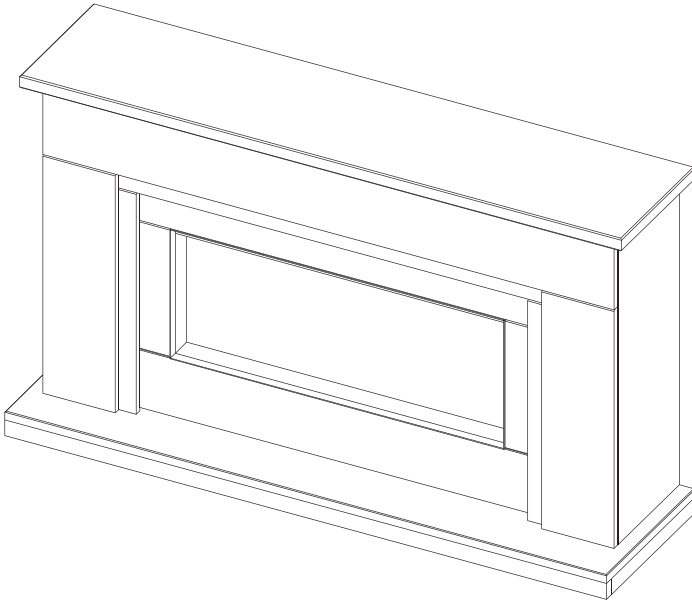


MARBLE FIREPLACE SUITE

Installation Guide



Please read through the use & care manual provided with this product first.

www.firedupcorporation.com/manual

PARTS SUPPLIED

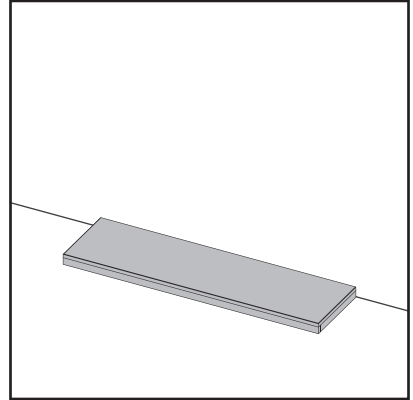
- Hearth
- Surround
- Shelf
- MDF Plinth
- Fire
- LED Strip Light, Switch & Plug

TOOLS & PARTS REQUIRED

- Pencil/Pen
- Drill & 6mm Drill Bit
- Silicone / Caulk

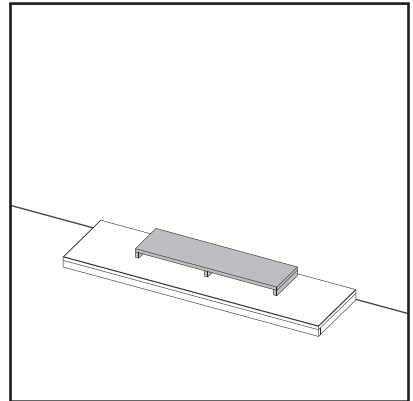
Installation


1. Push the hearth against the wall, ensuring it is level and secure.



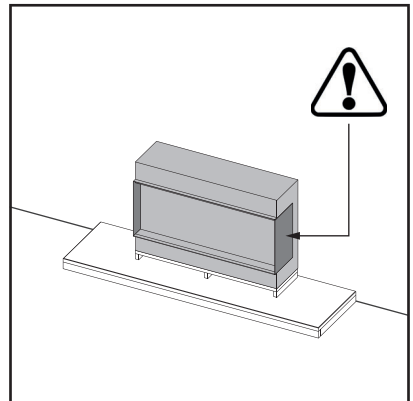
2. Position the plinth on the hearth, ensure it is central.

Note: Do not push the plinth flat against the wall. Leave a gap of roughly 15mm away from the wall.



3.  **IMPORTANT:** Fit the side panels to the fire before continuing. Please refer to the manual supplied with the side panels.

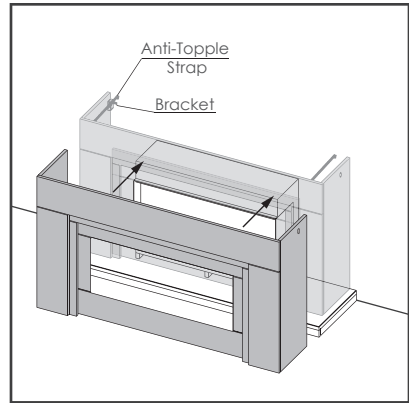
Carefully lift and place the fire onto the plinth.



- With help, lift the body onto the hearth and push back against the wall, ensuring the fire slides into the opening.

Ensure the fire and body remain central to the hearth.

Fix the body to the wall using the brackets and anti-topple straps attached.



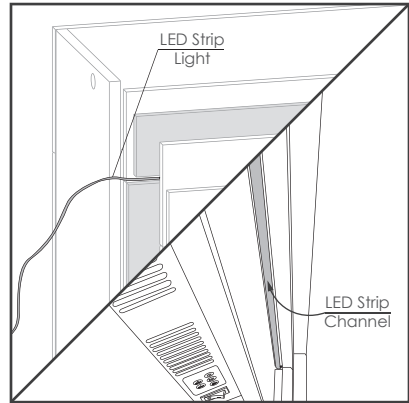
- FOR THE 44" VERSION**
Cut the LED strip light down to fit the channel

FOR THE 54" VERSION
Do not cut the LED strip light

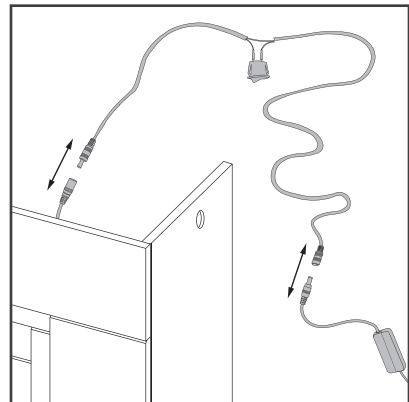


Feed the LED strip lights through the gap in the back of the surround.

From the front of the fireplace, remove the tape on the back of the LED strip lights and stick the lights into the channel.

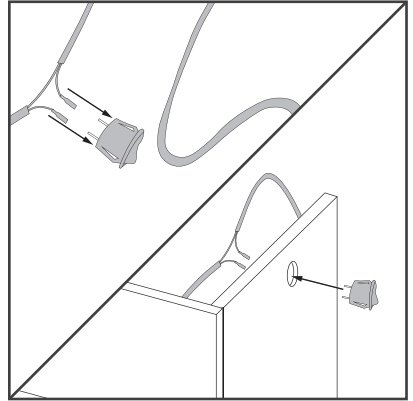


- Once the LED strip lights are fitted, connect the extension cable to the LED strip lights and the plug driver cable to the extension cable.

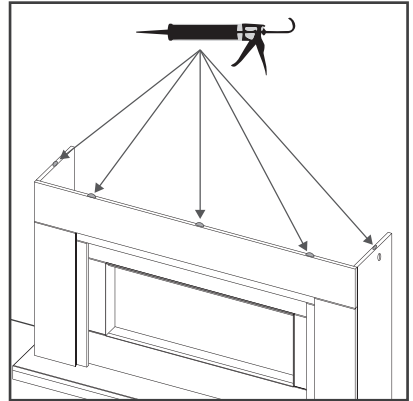


7. Detatch the switch from the extension cable and insert the switch into the hole in the leg, then re-attach the cable to the switch.

Plug the LED strip lights in and rest the transformer inside the fireplace.



8. Apply "pea sized" dabs of adhesive onto the top edge of the surround.



9. With help, lift the shelf and slowly lower onto the surround

Check the shelf is central once lowered into position, adjust accordingly before the adhesive sets.

