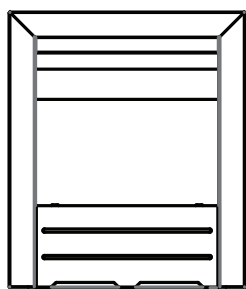
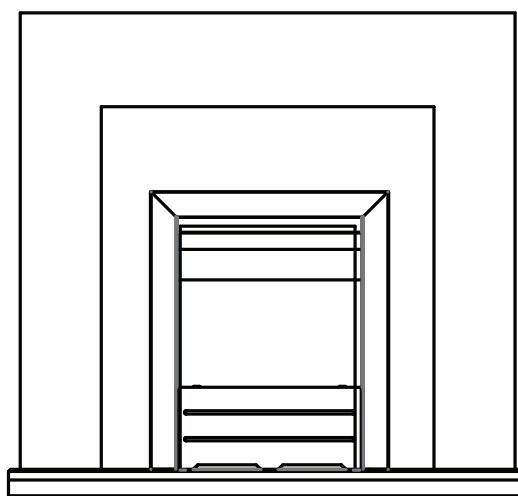


# BIO-ETHANOL FIRE SAFETY MANUAL FOR:



**INSET FIRES**



**FIREPLACE SUITE**

## Read ALL the instructions before use.

These instructions are for your safety. Please read through them thoroughly before use and retain for future reference. Failure to follow them could cause injury and/or property damage.

Note: This manual applies for a number of different products. Please make sure you follow the appropriate product guide lines.

## CONTENTS

### SECTION 01 - INTRODUCTION

Introduction	03
Cautions	03-06
Important safety Information	05-07
Safety Symbols	07
WARNING!	07
Handling	08
Unpacking	08

### SECTION 02 - IMPORTANT SAFETY INFORMATION

Before you start	09
Installation and location	09
Adding fuel	10
Lighting	11
During use	11
Extinguishing	11-12
Caring for your product	12
Use	11

### SECTION 03 - INSTALLATION & GUARANTEE

Installation	13-17
Conformity & the Environment	14
Guarantee	16
Contacts	16

# INTRODUCTION

## PLEASE READ THE FOLLOWING BEFORE USE

The contents of this manual are intended to provide simple and informative instructions on how to safely install and use your bio-ethanol fireplace. Before assembling the product, please take the time to read this manual thoroughly.

When used correctly in line with the methods outlined in this manual, bio-ethanol fireplaces pose no risk in an average sized room or outdoors. However please bear in mind bio-ethanol fireplaces use a real, uncovered flame which by nature requires extra care and attention during use.



**WARNING: FAILURE TO FOLLOW INSTRUCTIONS MAY RESULT IN FIRE, PROPERTY DAMAGE, SERIOUS INJURY OR DEATH.**

### NOTE:

- Please take note of all the safety instructions listed in this manual
- Carefully remove any packaging before use, but retain the safety instructions
- These instructions should be stored with the product.
- This product is for domestic use **ONLY** and should not be used commercially or for contract purposes.
- **DO NOT** remove warning labels from the unit.

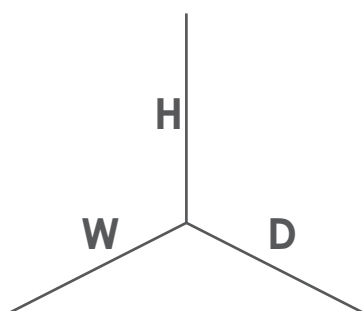


**DO NOT** fill with fuel when in use and without letting the unit cool **FULLY**.

## PLEASE KEEP THIS MANUAL FOR FUTURE REFERENCE

## Models Specific Information

Before using your bio-ethanol fireplace you will need to determine whether the space is suitable for the product to be used safely. Using your bio-ethanol fire in a room smaller than that stipulated below and without sufficient ventilation may result in headaches or sickness. If this occurs, extinguish the fire immediately and open all doors and windows. To calculate the Volume of the room:



$$\text{Room size} = H \times W \times D = \text{m}^3$$

**If this value is less than the Minimum Room Volume stated for the fire DO NOT USE**



**IMPORTANT:** Remove all packaging before use, but retain the safety instructions. **DO NOT** remove the warning labels from the unit. Please read and follow these instructions before using this bio-ethanol fire, failure to do so may result in a fire, property damage, serious injury or death.

**IMPORTANT:** Minimum room volume 63m<sup>3</sup>

## CAUTIONS

### DO'S

---

- Read ALL the instructions before using this heater.
- Only use this appliance for its intended use as described in this manual.
- Always install the fire in accordance with this guide. If in doubt obtain expert advice.
- Always make sure the fire is firmly secured.
- Always ensure the product is assembled in an area that is free from dust, grease or liquids.
- Always ensure that the correct tools are used to mount this fire.
- Always make sure the fire is firmly secured to the wall when complete.

## DON'TS

---

- Never leave children unsupervised in a room where the fire is ON and unguarded.
- Never obstruct or cover or force items into fire openings.
- Never install or use the fire anywhere where water is in use, i.e. Bathrooms, Kitchens, Shower Rooms, and Swimming Pool etc.
- Never use aerosols or steam cleaners on or around the fire.
- Never install the heater close to curtains or combustible materials. Keep furniture, bedding, papers, clothes, curtains, etc. at least 1m away from the front of the heater and keep away from the sides and rear.
- Never use the fire to dry clothes etc.
- Never sit or stand on the fire.
- Never lean or put weight on the fire.
- Do not use outdoors.
- Do not site the fire on deep pile carpets or rugs.

# IMPORTANT SAFETY INFORMATION

Please take the time to familiarise yourself with **ALL** the information contained within this section of the manual.



**DO NOT** fill fuel into the open flame. Do not fill fuel into the hot burner.



**DO NOT** put any objects onto the fireplace.



**DO NOT** put fireplace in a draft.



**DO NOT** fan the fire.



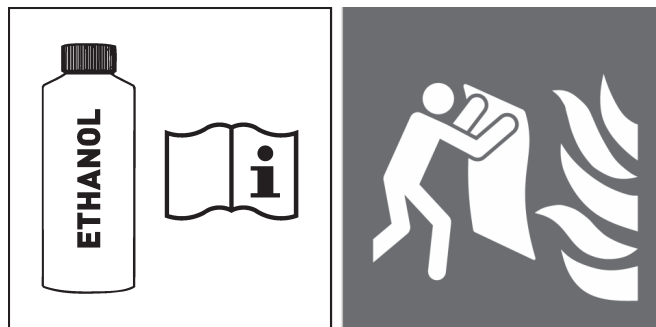
**DO NOT** touch the flames.



**DO NOT** position the fireplace near combustible items.



Keep suitable extinguishing agent ready.



Adhere to **ALL** instructions about bio-ethanol fuel.



Fire danger / oxidising / combustible



Do not smoke when handling / filling bio-ethanol fuel.



Harmful.

Thank you for choosing this Bio - Ethanol Fire. The fire is designed to meet the most stringent quality, performance, and safety requirements. This guide aims to improve your understanding and appreciation of your new fire by providing simple and informative assembly instructions.

## HANDLING

Before continuing any further with the installation of this fire please read the following:

- When lifting always keep your back straight. Bend your legs and not your back.
- Avoid twisting at the waist. It is better to reposition your feet.
- Avoid upper body / top heavy bending. Always bend from the knees rather than the waist.
- Do not lean forward or sideways whilst handling the fire.
- Always grip with the palm of the hand. Do not use the tips of fingers for support.
- Always keep the product as close to the body as possible. This will prevent unnecessary and undue strain on the body.
- Use gloves to provide additional grip.
- Always use assistance if required.

## UNPACKING

This product is supplied in a single package carton. Carefully unpack the product using the following procedure:

- Carefully lift the parts out of the box
- Carefully remove the protective wrapping from the parts
- Locate the fixing pack and put aside
- Carefully remove the fire from its box and put aside

(if you require spares or replacement parts for your product please see the contact details on the last page of this manual)





**WARNING: FAILURE TO FOLLOW INSTRUCTIONS  
MAY RESULT IN FIRE, PROPERTY DAMAGE,  
SERIOUS INJURY OR DEATH.**

## WARNING!

- This product is **NOT** for permanent use.
- This product is **NOT** for continuous operation.
- This product is **ONLY** intended for domestic use.
- This product must **NOT** be hired out for contract purposes.
- This product is **NOT** intended for cooking or heating food.
- This product must **NOT** be used a room with a minimum volume less than that recommended the model specific information section of this instruction manual and without sufficient ventilation. Failure to comply may result in headaches or sickness.
- If anyone in the vicinity of the fireplace experiences sickness or headaches, extinguish the fire immediately and open all doors and windows.
- Once lit, **DO NOT** pour bio-ethanol liquid into the fireplace.
- **DO NOT** leave a lit fireplace unattended at any time.
- **DO NOT** use the bio-ethanol fireplace as a main source of heating.
- **FIRE HAZARD** – Hot liquid.
- **DO** ensure all safety precautions in this manual are followed.
- **DO** familiarise yourself with the procedure for extinguishing the fireplace **BEFORE** lighting.

## BEFORE YOU START

We recommend the following equipment is available at all times and clearly visible before lighting the fire:

- The metal extinguishing tool supplied with the fireplace.
- An alcohol resistant foam, BC powder or carbon dioxide fire extinguisher (not supplied).
- A protective mat placed beneath the fireplace in instances where the fireplace is to be positioned on a wooden, plastic or glass table.
- A protective mat may be made of slate or marble, be cast iron or stainless steel trivet, or a heat resistant fabric mat, which can be purchased from cookware retailers.
- A carbon monoxide detector in the room in which you intend to use your bio-ethanol fireplace.

We also recommend a set of heat resistant gloves when preparing and lighting the fireplace.

## INSTALLATION AND LOCATION

NOTE: These instructions are to be used in conjunction with building regulations. Please observe local legislation in relation to installation and use of bio-ethanol fireplaces.

- You **MUST** use this product in a well ventilated area.
- **DO NOT** use this bio-ethanol fireplace in any small enclosed unventilated spaces such as lofts or basements.
- You **MUST** locate this product in an location where it will **NOT** be subject to a strong draught or wind.

- If located indoors, **DO NOT** place the fireplace in front of a window.
  - You **MUST** locate the fireplace at least 1m away from curtains and any other flammable materials.
  - If located outdoors, you **MUST** locate the fireplace at least 1m away from vegetation and ensure there is at least 1m overhead clearance from overhanging trees and bushes.
  - **DO NOT** place it on or near any highly combustible/flammable surfaces or materials.
  - **DO NOT** use this bio-ethanol fireplace under any outdoor awnings, parasols, sun umbrellas, gazebos or in a tent.
  - A protective mat **MUST** be placed beneath the fireplace in instances where the fireplace is to be positioned on a wooden, plastic or glass table (protective mat not supplied)
  - A protective mat may be made of slate or marble, be cast iron or stainless steel trivet, or a heat resistant fabric mat, which can be purchased from cookware retailers.
  - **DO NOT** locate the fireplace in a location where it could be knocked or tipped over.
  - **DO NOT** use this bio-ethanol fireplace on anything other than a suitably strong, stable, flat, level, permanent, heat and scratch resistant, low surface in a well ventilated area.
  - **DO NOT** reposition the fireplace when in use, only move the fireplace when it has cooled completely.
  - **DO NOT** position the fireplace below a wall-hung television, or beneath overhanging lights.
  - **DO NOT** locate the fireplace within 1m of a television.
  - **DO NOT** locate the fireplace in an area where children and animal are or play.
- THERE MUST BE A SAFETY DISTANCE OF 50CM AROUND THE PRODUCT WHEN FIXED TO A WALL.**

## ADDING FUEL

- This product is **ONLY** suitable for use with bio-ethanol liquid fuel.
- **ALWAYS** follow the fuel safety guidelines on the back of the bio-ethanol fuel bottle.
- **DO NOT** use petrol, white spirit, lighter fluid, alcohol, gel fuel, citronella oil or similar chemicals to light a fire as this will damage the product and may property damage, serious injury or death.
- **ALWAYS** inspect the unit prior to adding fuel for fatigue and damage and replace as and when necessary.
- **ALWAYS** use the funnel provided to fill the fuel tray.
- **ALWAYS** ensure that the whole unit and fuel container is fully extinguished and cool prior to fueling.
- **DO NOT** re-fill the fuel tray with bio-ethanol liquid when the bio-ethanol fireplace is in use or still hot.
- **DO NOT OVERFILL THE FUEL TRAY WITH FUEL**
- There is a maximum level mark on the inside of the fuel tray. **DO NOT** fill the fuel tray with bio-ethanol liquid above the maximum mark.
- If any spillages have occurred when filling the fuel tray, ensure you clear up the spilled fuel before use. Any fuel spilled can be removed by wiping the fuel up with a dry cloth then removing any remaining residue with a damp cloth
- **DO NOT** use any chemicals to clean up spillages or to clean the bio-ethanol fireplace.

- Only use luke warm water and a soft cloth to clean the bio-ethanol fireplace.
- Only add more bio-ethanol liquid when the flame has been properly extinguished and the flame is **COMPLETELY COOL**.
- **DO NOT POUR FUEL DIRECTLY ONTO A LIT FLAME, OR WARM FUEL CONTAINER.**

## LIGHTING

NOTE: Before lighting we highly recommend familiarising yourself with the procedure(s) for extinguishing the fireplace

- Ensure there are no flammable materials within 2m of the bio-ethanol fireplace.
- **DO NOT** ignite the device if it is still warm.
- **DO NOT** smoke when lighting the fireplace.
- **DO NOT** light the fireplace in a room which already contains a burning fire.
- To light the bio-ethanol liquid fuel use a long lighter at arms length. It is recommended that you use heat resistant gloves (not supplied) when preparing this unit for use and lighting the bio-ethanol liquid.
- The extinguishing plate must remain completely open once the bio-ethanol liquid fuel has been lit. When you want to extinguish the flame and when **NOT** in use, the extinguishing plate must remain firmly closed.

## DURING USE

- After approximately 10 minutes the flame will change from a small blue flame to a larger yellow flame and will burn hotter than when first lit.
- Once alight **DO NOT** move or handle the bio-ethanol fireplace as it will be hot.
- The metal extinguishing tool should be kept close to the fireplace at all times, especially when alight.
- **DO NOT** leave unattended.
- **DO NOT** touch the flame.
- **DO NOT** put anything on top of the fireplace or cover the fireplace and/or the fireplace glass.
- **DO NOT** smoke in the vicinity of the fireplace.
- **DO NOT** close all windows and doors whilst the fireplace is in use.
- **DO NOT** use this product in a strong draught or wind.
- **DO NOT** light the fireplace in a room which already contains a burning fire.
- **DO NOT** use this bio-ethanol fireplace in the rain.
- **DO NOT** move the bio-ethanol fireplace whilst alight as it will be hot.
- **ALL** of the bio-ethanol fireplace surfaces will become hot during use: **HANDLE WITH CAUTION.**
- Keep children and pets at a safe distance from the bio-ethanol fireplace when in use, whilst still hot or with hot fuel.
- **DO NOT** leave children unattended with the fireplace whilst in use, still hot or with hot fuel.
- **DO NOT** reposition the fireplace when in use, only move the fireplace when it has cooled completely.

## EXTINGUISHING

- It is recommended that heat resistant gloves are used when handling any part of the fireplace.

- Keep the extinguishing tool with the fireplace at all times.
- **DO NOT** douse the bio-ethanol fireplace with water even in an emergency.
- **DO NOT** attempt to blow out the flame, as the additional airflow will increase the flame size and strength and not extinguish the flame.
- To extinguish the bio-ethanol fireplace allow all bio-ethanol liquid to burn completely so there is no residue remaining in the fuel tray.
- If the fire is burning, using the extinguishing tool close the extinguishing plate covering the fuel tray completely, this will starve the flame of oxygen preventing it from burning.
- Keep the stainless steel extinguishing plate firmly closed until the whole product is cool and the flame is extinguished.
- The fuel tray **MUST** be completely covered by the extinguishing plate.
- **DO NOT** handle or return to the product until the flame has been completely extinguished.
- Once the fireplace is completely cool you may return to the product.

#### IN AN EMERGENCY:

- Using the metal extinguishing tool provided, firmly close the stainless steel extinguishing plate across the fuel tray.
- Use an alcohol resistant foam, BC powder, or carbon dioxide fire extinguisher.
- Ensure the stainless steel extinguishing plate is completely closed covering the fuel plate entirely.
- **DO NOT** douse the bio-ethanol fireplace with water even in an emergency.
- **DO NOT** attempt to blow out the flame, as the additional airflow will increase the flame size and strength and not extinguish the flame.

Once cool:

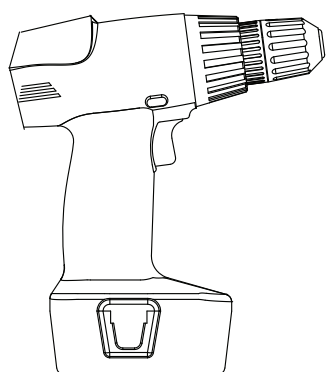
- Ensure there is no fuel remaining in the fuel tray.
- Keep the extinguishing plate firmly closed.

## CARING FOR YOUR PRODUCT

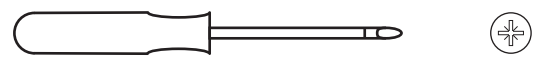
- **DO NOT** alter the design or construction of this fireplace in any way.
- **DO NOT** use any replacement parts from any other manufacturer.
- When not in use, ensure there is no fuel remaining in the fuel tray.
- To clean the fuel tray use lukewarm water and a soft cloth. It is also recommended that you use a good quality stainless steel cleaner on the fuel tray. **ONLY** use a damp soft cloth on the fireplace base unit.
- When not in use, store the unit indoors in a dry, cool place, out of reach of children.
- Take special care when storing the bio-ethanol liquid fuel.
- For suitable fuel storage, please follow the directions for use and storage on the bio-ethanol liquid packaging.
- Prior to next use, check all components of the product for fatigue, ensuring that the secondary fuel container does not contain any fuel. Any residual fuel this must be removed, drained and cleaned before use.
- The stainless steel fuel tray will tarnish from first use and if placed outside, this is normal and to be expected.
- Reposition the fireplace regularly to prevent the surface underneath the fireplace from fading.

**TOOLS REQUIRED**

An electric drill



A crosshead screwdriver



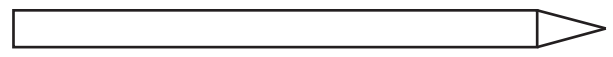
A 6mm diameter masonry bit



A 2mm diameter drill bit\*



A pencil



**PARTS SUPPLIED**

Description	Illustration	Qty
Trim		x 1
Fire Body		x 1
Bio-Ethanol Burner		x 1
Flame Control Tool		x 1
Cable Tie		x 1
Hook Screwthread		x 1
Filler Funnel		x 1

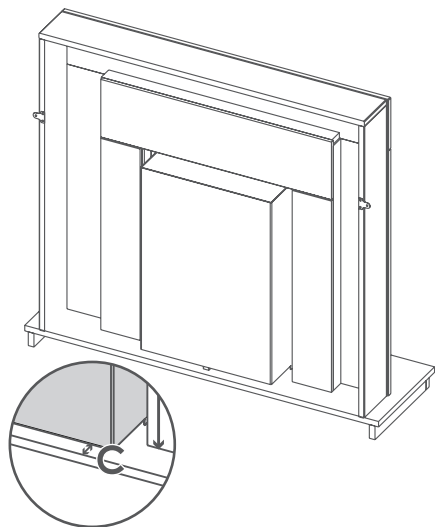
Description	Illustration	Qty
Wall plug		x 1 (x2*)
Short screw		x 4*
Long screw		x 2*
Mirror clip		x 2*

\* For use with Fireplace suites only

## INSTALLATION (For Inset Fires Only)

Please ensure the floor and wall are flat before installation.

This fire is suitable to fit into surrounds with a minimum opening (A & B) and leave a minimum clearance (C) as illustrated below.



**A** 42cm (16.5")

**B** 57cm (22.5")

The following amount of space must be left around the fire (minimum).

Make sure the appliance's air inlets are not blocked.

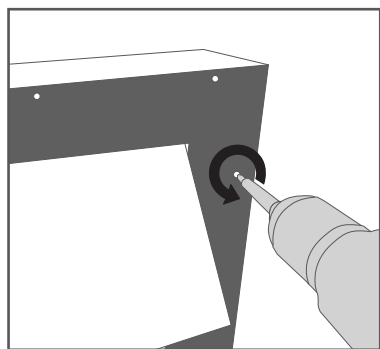
**C** 1.3cm (0.4")

**D** 37cm (14.5")

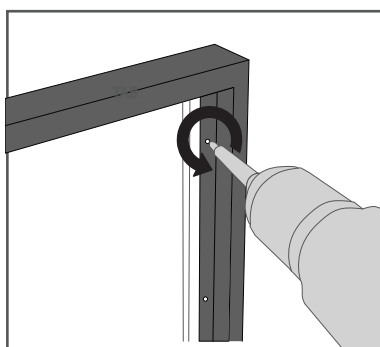
**E** 28cm (11") Both sides of the fire

### FITTING THE FIRE into wooden back panel

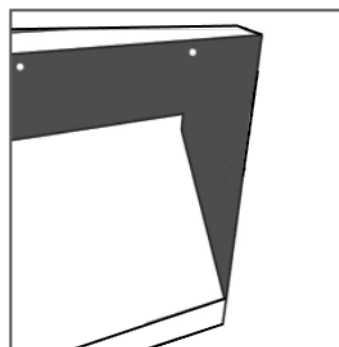
If installing into a stone or laminate back panel see page 8



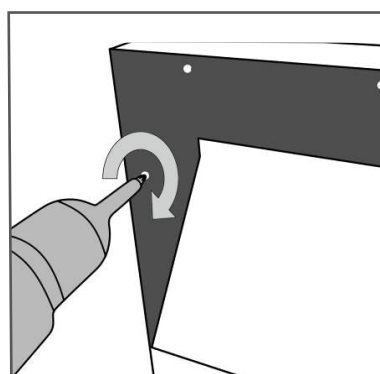
1) Unscrew the 6 screws to detach the spacer.



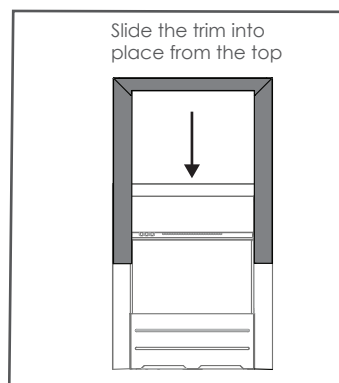
2) Attach the spacer to the surround using 6 x (3.5 x 12mm) screws or similar size (not supplied)



3) Offer the fire up to the spacer.



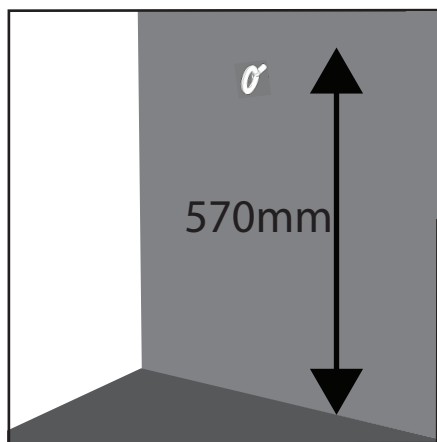
4) Screw the 8 screws to attach the fire to the spacer



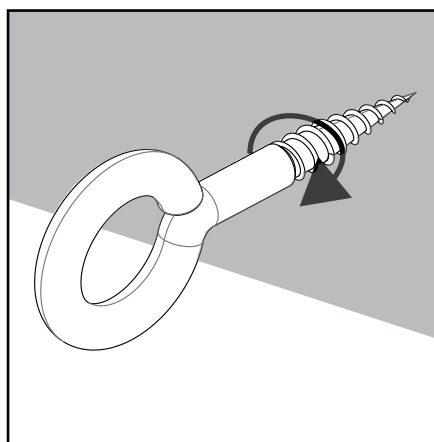
5) Slide on the trim to hold the fire in position.

## FITTING THE FIRE into a stone or laminate back panel

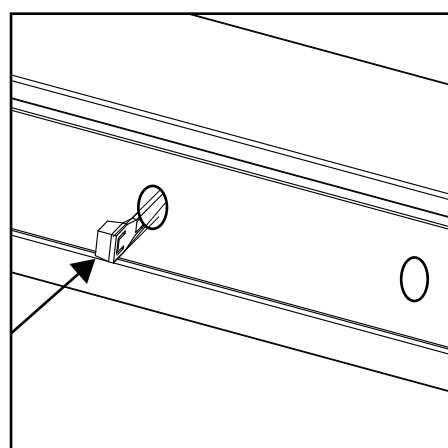
Installing the fire where a stone or marble back panel is used



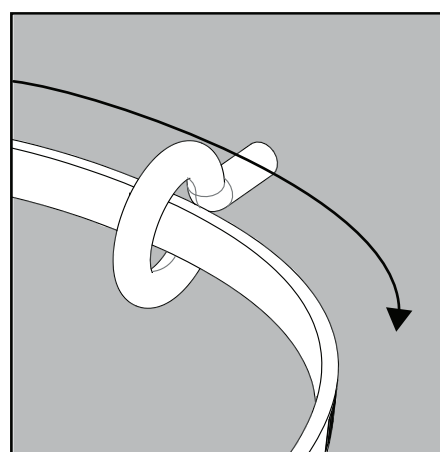
1. For solid walls, drill the 2 holes approximately 35mm deep using a 6mm diameter drill bit. Note if fitting the fire to plaster board with a cavity behind then propriety wall fixings (not supplied) will be required.



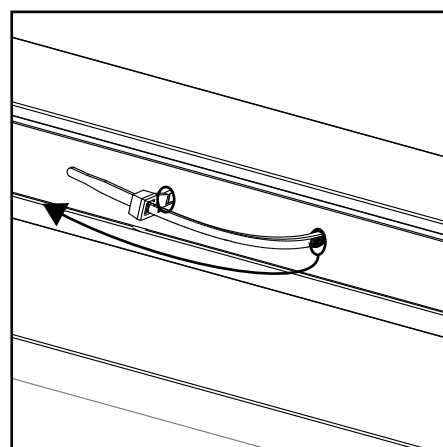
2. Insert wall plug into wall, then tighten the hook screwthread into the wall plug.



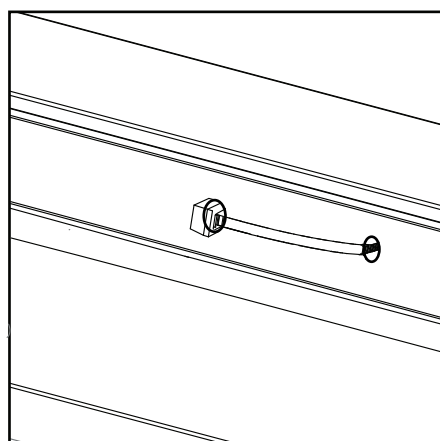
3. Pass cable tie through the larger hole on the fire body trim, ensuring that the head of the cable tie does not pass through this hole.



4. Pass cable tie through the hook of the threaded insert, in a clockwise direction.

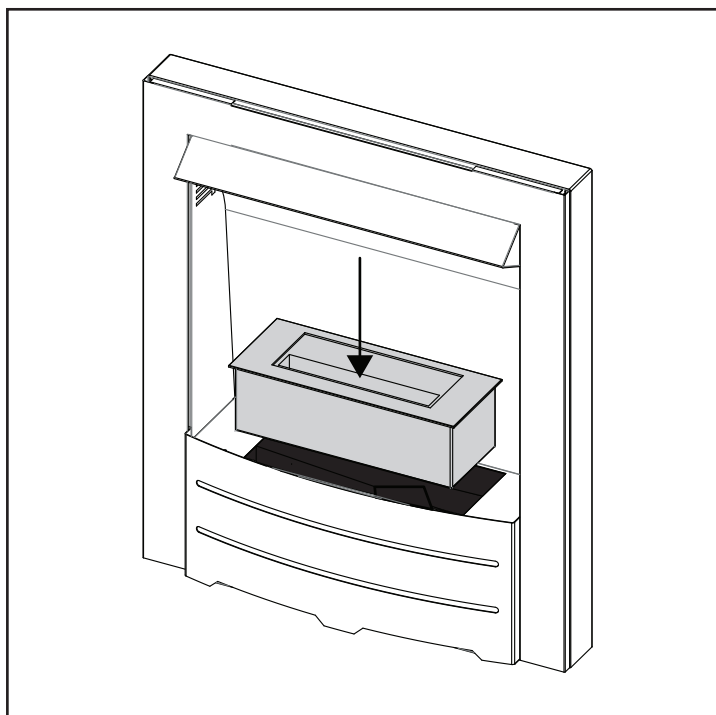


5. Threading the cable tie through the second hole in the fire body, and attach through the main head of the tie, pulling to the left to tighten the fire into position.

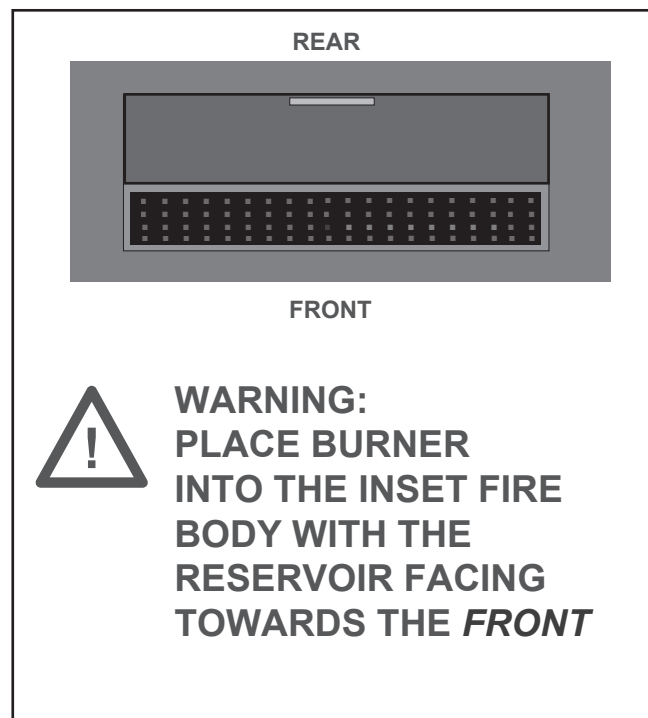


6. Once the cable tie has sufficient tension applied, the excess cable can be pushed neatly through the larger hole to be concealed out of view.

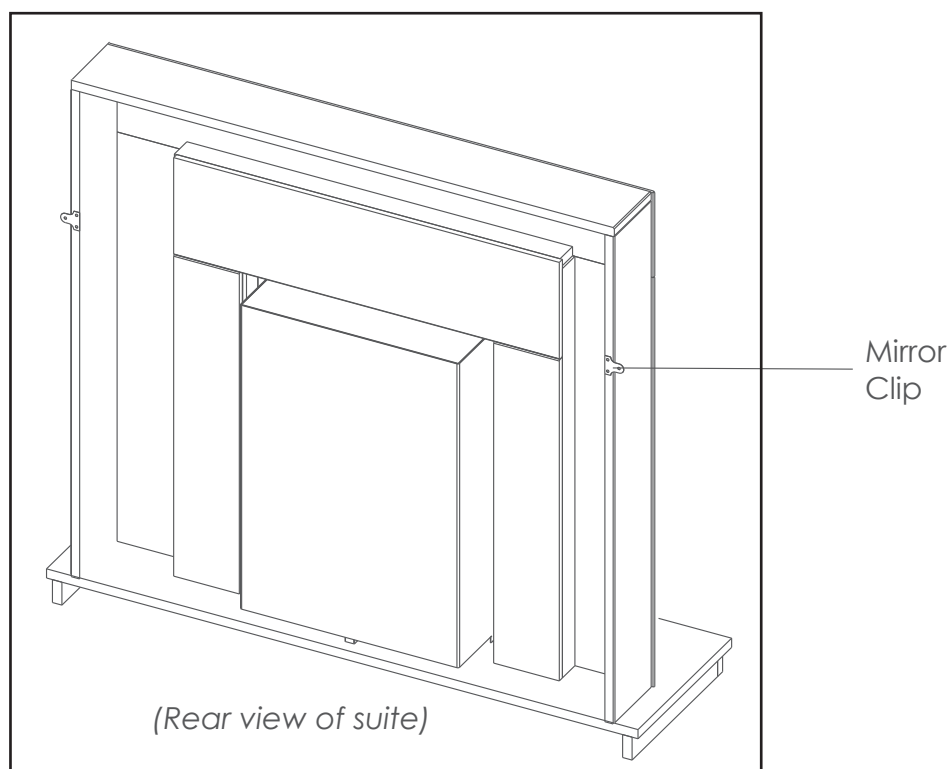
## FITTING the burner into the inset fire body



Place burner in from the top of the opening, ensuring that no fuel is contained in the burner before moving.



## INSTALLATION (for fireplace suites only)





## INSTALLATION (for fireplace suites only)

This surround is floor-standing and must be fixed to a wall. Please ensure both the wall and floor are flat before installation and that secure anchorage points can be made to the wall. Always ensure there is enough room to place suite.

Before installing this product please take note that should removal or relocation of the product be necessary, any installation methods used may be left exposed.

Note: If fitting the product to plaster board with a cavity behind then propriety wall fixings (not supplied) will be required.

To secure the suite to the wall, follow the instructions below:

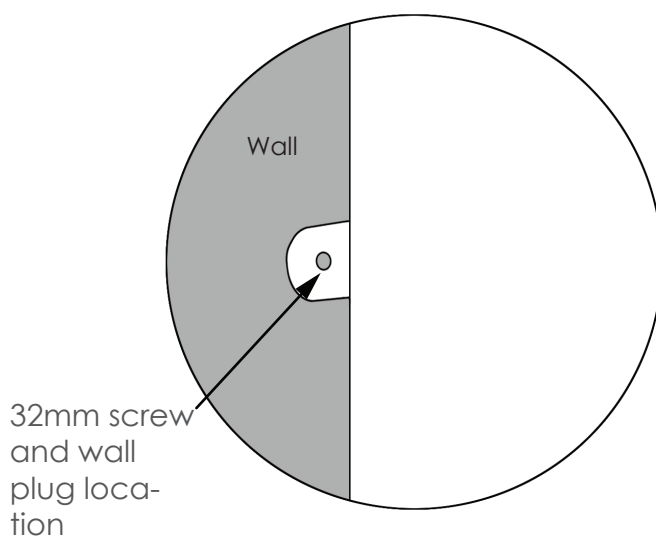
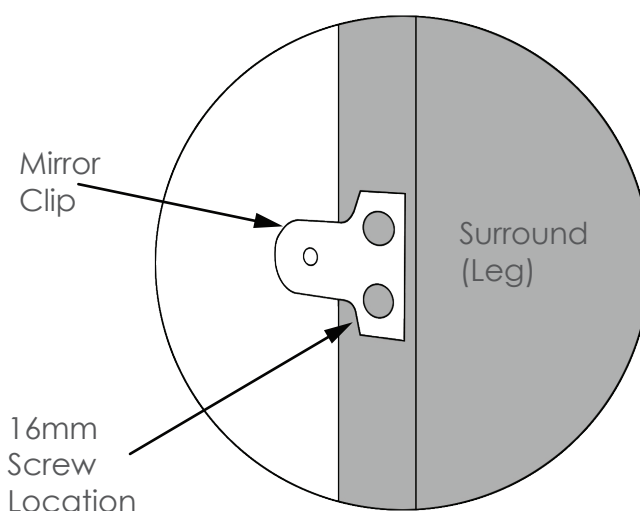
1. Attach a mirror clip to the back of each leg as shown using 4 x 16mm screws. Pre-drill the holes to stop the MDF splitting.

2. Place the surround to the wall, and mark the positions of the exposed holes on both mirror clips.

**Note: Check the wall does not have any wiring or pipe work behind where you intend to drill.**

3. Using an electric drill (6mm bit), drill holes into the walls approximately 35mm deep.

4. Insert the wall plugs, then secure the suite with 2 x 32mm screws (supplied).



## UNINSTALL

Unplug the unit and remove the two screws securing the bracket to the wall

[BLANK]

[BLANK]

## DISCLAIMER

We will not accept responsibility for any loss, damage or injury caused by installations of bio-ethanol fireplaces other than those directly attributable to faulty workmanship or materials used by ourselves during the guarantee period. The instructions in this manual are designed to supplement those defined by building regulation, local conventions and any other applicable safety steps required by law in relation to fire safety and should not be used in isolation.

Over time the appearance of the product will tarnish though use and if kept outdoors, this is natural and unavoidable and we are under no obligation to provide repair or replacements under guarantee for cosmetic damage sustained in this manner.

## GUARANTEE

For your convenience, you are not required to complete a form and return it to us in order to validate your guarantee. However, please ensure that you retain your receipt which will act as both proof of purchase and a guarantee validation document. **We recommend that you attach your receipt to this documentation.**

Your product carries a 12 month guarantee from the date that the original purchaser receives it. If your product fails to operate to its specification, due to faulty workmanship or materials during the guarantee period, we will either repair or replace the product. We will use our discretion to determine whether to offer a repair or provide a replacement. The product will not be covered by the guarantee if it has been misused, transformed, modified or altered in any way. Over time the appearance of the product will tarnish though use and if kept outdoors, this is natural and unavoidable and we are under no obligation to provide repair or replacements under guarantee for cosmetic damage sustained in this manner.

If your product fails within the guarantee period please ensure that you have all necessary documentation available including proof of purchase (receipt or invoice with serial number, location and date of purchase) in addition to all original undamaged packaging and leaflets etc. It is strongly recommended that you inspect your product carefully before it is used or installed. For full details of your product you should refer to the instruction manual which accompanies the product. You are strongly advised to read this manual carefully in its entirety and to retain it for future reference.

This product guarantee does not affect your statutory rights.

## CUSTOMER HELPLINE



03300 882 069



customer.support@firedupcorporation.com



[www.firedupcorporation.com](http://www.firedupcorporation.com)

Fired Up Corporation Ltd.  
Fired Up Buildings  
St Thomas Road  
Huddersfield  
HD1 3LF  
United Kingdom