

# Use & Care Manual

## Glass Panel Electric Convector Heater



**These instructions are for your safety. Please read through them thoroughly before use and retain for future reference. Failure to follow them could cause injury and/or property damage.**

### CONTENTS

Introduction	1
Unpacking	1
Handling	1
Parts Supplied	2
Tools Required	2
Electrical Specification	3
Cautions	4
Safety Cut-Out System	4
Cleaning	4
Wall Mounting	5
Free Standing With Feet	6
Operating	6
Plug Replacement	7
Appliance Data	7
Certification	7

### INTRODUCTION

Thank you for choosing this product. This product is designed to meet the most stringent quality, performance, and safety requirements. This guide aims to improve your understanding and appreciation of your new product by providing simple and informative assembly and operational instructions.

### UNPACKING THE PRODUCT

Carefully unpack the product using the following procedure:

- Carefully lift the pieces/product out of the box.
- Carefully remove the protective wrapping from the pieces.
- Locate the fixing pack and put aside.
- Ensure the supply requirements indicated on the Rating Label fixed to the rear of the product is compatible with the supply voltage available.

### HANDLING


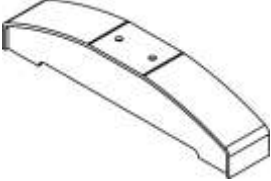

Before continuing any further with the installation of this product please read the following:

- When lifting always keep your back straight. Bend your legs and not your back.
- Avoid twisting at the waist. It is better to reposition your feet.
- Avoid upper body / top heavy bending. Always bend from the knees rather than the waist. Do not lean forward or sideways whilst handling the product.
- Always grip with the palm of the hand. Do not use the tips of fingers for support.
- Always keep the product as close to the body as possible. This will prevent unnecessary and undue strain on the body.
- Use gloves to provide additional grip.
- Always use assistance if required.

Customer telephone helpline: 08448 809301  
Helpline email address: [helpline@adamsurrounds.co.uk](mailto:helpline@adamsurrounds.co.uk)




## PARTS SUPPLIED

Please identify the parts listed below and ensure you have ALL the correct parts before installing the unit.

Description	Illustration	Qty
Heater		x 1
Foot		x 2
Wall mounting brackets 2x Upper Bracket 1x Lower Bracket		x 1 set

## FIXINGS PACK

Please identify the fixings listed below and ensure you have ALL the correct fixings before installing the unit.

Description	Illustration	Qty
30mm Screw		x 3
12mm Screw		X 4
Wall Plug		x 3


## TOOLS REQUIRED

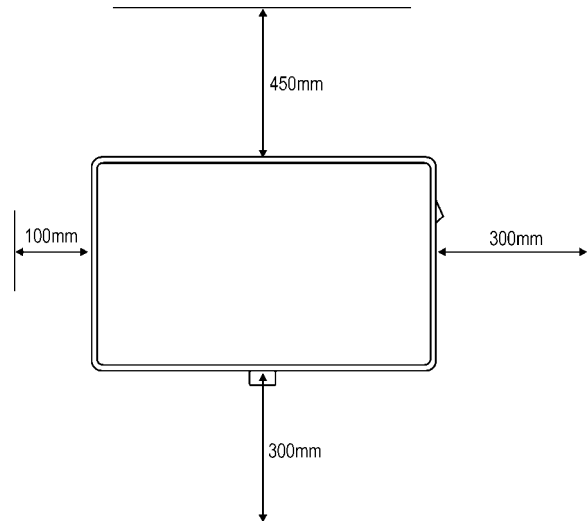
- A crosshead screwdriver (an electric screwdriver is recommended)
- A drill with 6mm masonry bit (required if drilling into stone or brick)
- A pencil
- A spirit level

## ELECTRICAL SPECIFICATIONS

### Important Electrical Safety

The heater must not be located immediately below a socket outlet. The socket must always be accessible in order to disconnect the heater from the electrical supply for maintenance and cleaning.

	<p><b>IF THE HEATER IS WALL MOUNTED IT MUST BE AT LEAST 300MM OFF THE FLOOR TO PROVIDE ENOUGH AIR INTAKE.</b></p>
	<p><b>IF THE HEATER IS WALL MOUNTED IT MUST BE AT LEAST 450MM OFF THE CEILING TO AVOID OVERHEAT AT THE CEILING.</b></p>
	<p><b>WARNING: THE HEATER MUST NOT BE USED IF THE GLASS PANEL IS DAMAGED</b></p>



### Important!

- The heater is for household and indoor use only.
- When the appliance is not in use and before cleaning, unplug the appliance from the outlet.
- The heater must not be located immediately below a socket outlet.
- The plug must be accessible after installation to allow for isolation in an emergency.
- Do not spray liquids directly onto any surface of the unit.
- **This heater must be earthed.** The mains supply cord must be safely routed from the heater to an electrical socket.
- If the supply cord is damaged, it must be replaced by the manufacturer or its service agent or a similarly qualified person in order to avoid a hazard.
- This appliance is not intended for use by persons (including children) with reduced physical, sensory or mental capabilities, or lack of experience and knowledge, unless they have had supervision or instruction concerning use of the appliance by a person responsible for their safety.
- To protect against the risk of an electric shock, do not immerse the unit, cord or plug in water or other liquid.
- Do not use this heater in the immediate surroundings of a bath, a shower or a swimming pool.
- Children should be supervised to ensure that they do not play with the appliance.
- **WARNING:** This heater is not equipped with a device to control the room temperature. Do not use this heater in small rooms when they are occupied by persons not capable of the leaving the room on their own, unless constant supervision is provided.



### **WARNING: Do Not Cover**

- **WARNING:** In order to avoid overheating, do not cover the heater.

**Note:** Any new wiring must be installed in compliance with local and national codes of practice and other applicable regulations in order to reduce the risk of fire, electric shock, or other injuries.

**Note:** When the heater is turned on for the first time, it may release a slight, harmless odour. This odour is a normal occurrence caused by the initial heating of the internal heating elements. If the heater is not used frequently, then this may reoccur, however this is normal for this style of heater.

## CAUTIONS

<b>Do's</b>	<ul style="list-style-type: none"> <li>Always install the heater in accordance with this guide. If in doubt obtain expert advice.</li> </ul>
	<ul style="list-style-type: none"> <li>Always make sure the electrical socket is accessible and located adjacent to, but not above the heater.</li> </ul>
	<ul style="list-style-type: none"> <li>Always disconnect the heater from the electrical supply before carrying out any cleaning or maintenance.</li> </ul>
	<ul style="list-style-type: none"> <li>Always make sure the heater is firmly secured if wall mounting.</li> </ul>
	<ul style="list-style-type: none"> <li>Always make sure the heater is stable when using feet.</li> </ul>
<b>Don'ts</b>	<ul style="list-style-type: none"> <li>Never leave children unsupervised in a room where the heater is ON and unguarded.</li> </ul>
	<ul style="list-style-type: none"> <li>Never obstruct or cover the outlets or force items into its openings.</li> </ul>
	<ul style="list-style-type: none"> <li>Never install or use the heater anywhere where water is in use, i.e. Bathrooms, Shower Rooms, and Swimming Pool etc.</li> </ul>
	<ul style="list-style-type: none"> <li>Never use aerosols or steam cleaners on or around the heater.</li> </ul>
	<ul style="list-style-type: none"> <li>Never route the mains supply cord under carpet etc.</li> </ul>
	<ul style="list-style-type: none"> <li>Never install or use the heater close to curtains or combustible materials.</li> </ul>
	<ul style="list-style-type: none"> <li>Never use the heater to dry clothes etc.</li> </ul>
	<ul style="list-style-type: none"> <li>Never sit or stand on the heater.</li> </ul>
	<ul style="list-style-type: none"> <li>Never use the heater outdoors.</li> </ul>
<ul style="list-style-type: none"> <li>Never cut off the plug and hard wire into a fixed fuse spur.</li> </ul>	

## SAFETY CUT-OUT SYSTEM



### DO NOT OBSTRUCT THE AIR VENTS OF THE ELECTRIC HEATER.

This appliance has a 'self resetting' safety cut out system that will activate if the air inlets or outlets are obstructed. If the electric heater is obstructed, it will overheat. When the temperature exceeds 85 degrees C, the heater element will cut out, until a safe temperature is regained.

## CLEANING

Please allow the unit to cool down completely before cleaning.

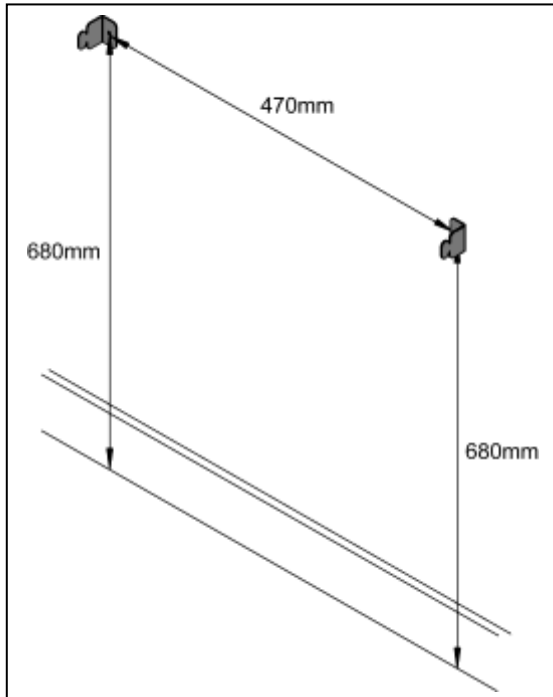
- For general cleaning use a soft clean duster – DO NOT use abrasive cleaners. The glass fascia should be cleaned carefully with a soft cloth.
- The area around the heater should be kept free from animal hair, lint and other extraneous material that may be drawn into the appliance which could affect its performance.

## WALL MOUNTING

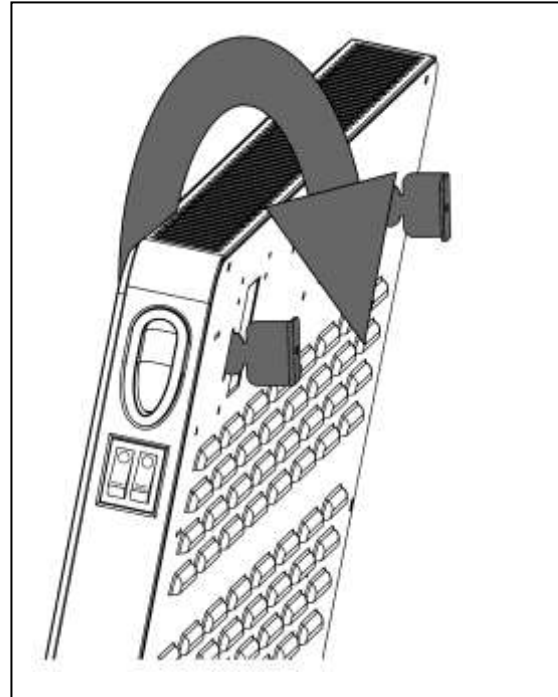
Warning: Check the wall to ensure there is no wiring, pipe wires etc in the area to be drilled.

Warning: Do not plug in before wall mounting.

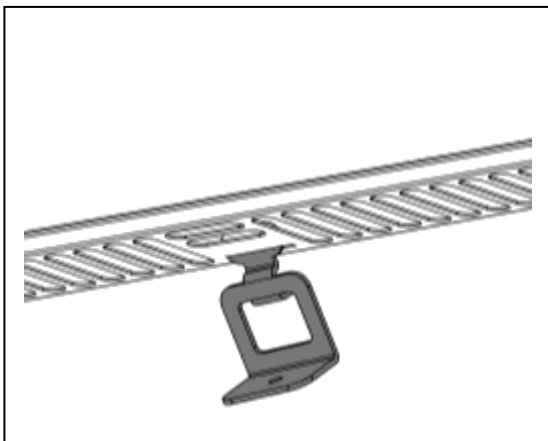
**Note** if fitting the heater to plaster board with a cavity behind then propriety wall fixings (not supplied) will be required. If in doubt, please seek advice from a suitably qualified tradesman.



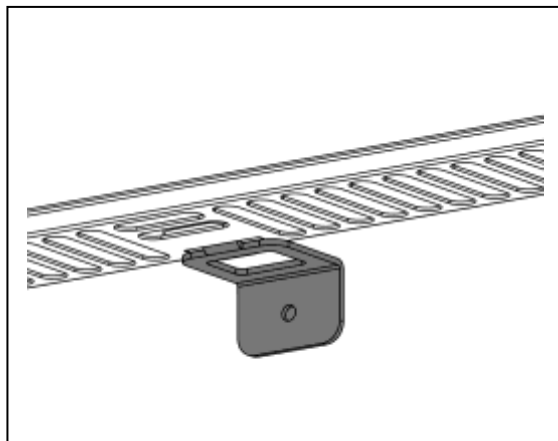
1.) Using the 30mm screws and wall plugs supplied fit the Upper Brackets, as illustrated above.



2.) Hook the heater into position.



3.) Hook the Lower Bracket into the slit at the bottom of the heater.



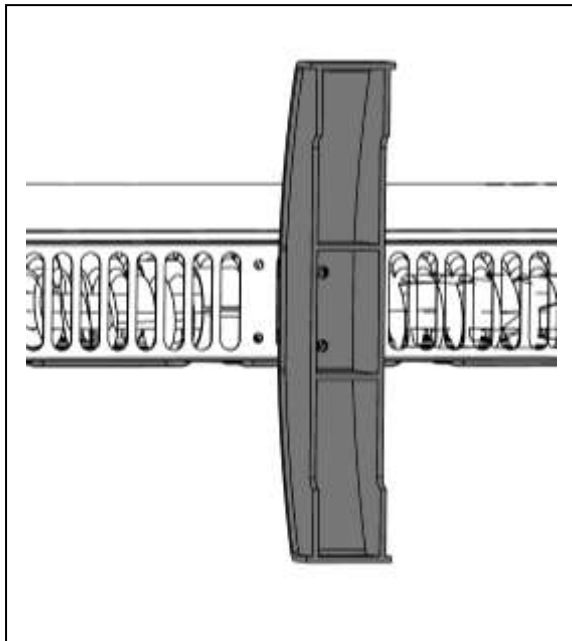
4.) Fix Lower Bracket into position using 30mm screw and wall plug. The heater is now ready to use.

## UNINSTALL

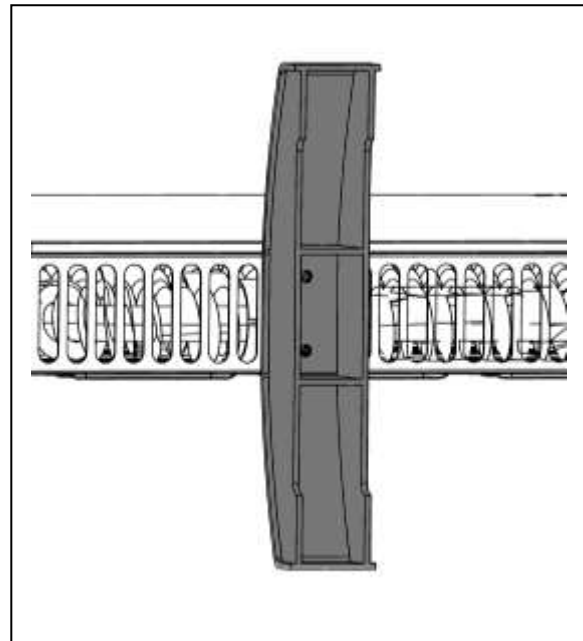
Unplug the heater. Remove the lower bracket then un-hook from the upper brackets

## FREE STANDING

Warning: Do not plug in before mounting feet.



1.) Using the 12mm screws supplied, fit each foot as illustrated above.

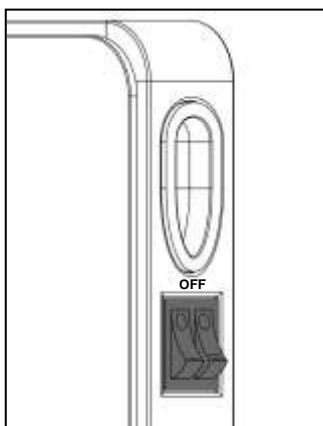


2.) The heater is now ready to use.

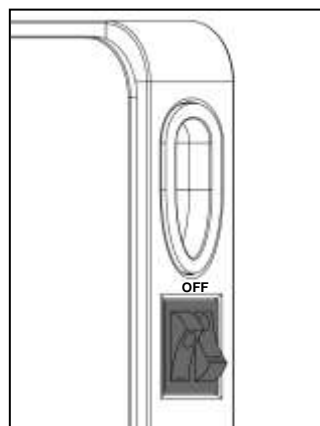
## OPERATING

There are two switches on the right hand side providing a choice of heat settings. A switch is in the ON position when the side with the markings on (i.e. I, or II) is 'pushed in' and the LED indicator on the switch is illuminated.

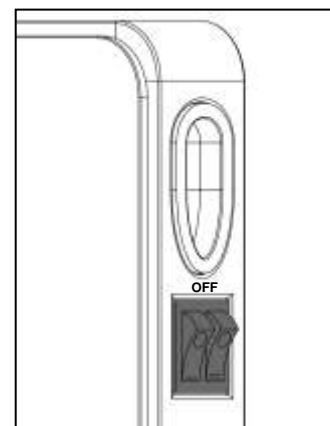
Switch 1 (I) provides 500W heat output  
 Switch 2 (II) provides 1000W heat output with switch 2



Off



500W



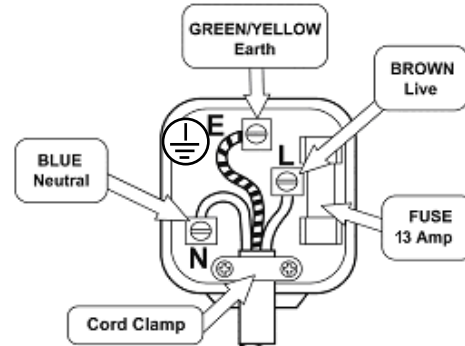
1000W

## PLUG REPLACEMENT (For product fitted with BS Plug)

- This appliance is supplied with a BS1363 3 pin plug fitted with a 13 Amp fuse. Should the fuse require replacement, it must be replaced with a fuse rated at **13 Amp** and approved to BS1362.
- In the event the mains plug has to be removed/replaced for any reason, please note:

The wires in the mains lead on this appliance are coloured in accordance with the following code:

<b>Green and Yellow</b>	-	<b>Earth</b>
<b>Blue</b>	-	<b>Neutral</b>
<b>Brown</b>	-	<b>Live</b>



## THIS APPLIANCE MUST BE EARTHED

As the colours may not correspond with the markings identifying the terminals in your plug proceed as follows:

- The green and yellow earth wire must be connected to the terminal in the plug which is marked with the letter E or with the earth symbol
- The blue wire must be connected to the terminal marked N
- The brown wire must be connected to the terminal marked L

Important - any cut off plug should be disposed of safely to prevent hazard. There is a danger of electric shock if a cut off plug is inserted into a socket outlet.

## APPLIANCE DATA (Model:2537)

- Supply Voltage: 220-240V~, 50/60Hz
- Rated Power: 1000W
- Fuse (BS plug) Rating: 13 Amp

## CONFORMITY WITH DIRECTIVES

Conforms with relevant European Directives



## ENVIRONMENTAL PROTECTION

- (WEEE) Waste Electrical and Electronic Equipment

Waste electrical products should not be disposed of with household waste. Please recycle where facilities exist. Check with your Local Authority or retailer for recycling advice.



Customer telephone helpline: 08448 809301  
Helpline email address: [helpline@adamsurrounds.co.uk](mailto:helpline@adamsurrounds.co.uk)